

Dell PowerVault NX3500  
Systems

Getting Started With  
Your System

系统使用入门

Memulai Pengaktifan dengan Sistem Anda

はじめに

시스템 시작 안내서





Dell PowerVault NX3500  
Systems

Getting Started With  
Your System

**Regulatory Model: E07S Series,  
DELL500WLV, and DELL500WHV**



# Notes, Cautions, Warnings, and Danger



**NOTE:** A NOTE indicates important information that helps you make better use of your computer.



**CAUTION:** A CAUTION indicates potential damage to hardware or loss of data if instructions are not followed.



**WARNING:** A WARNING indicates a potential for property damage, personal injury, or death.



**DANGER:** A DANGER indicates an imminently hazardous situation which, if not avoided, will result in death or serious injury.

---

**Information in this publication is subject to change without notice.**

© 2011 Dell Inc.; Eaton Corporation. All rights reserved.

Reproduction of these materials in any manner whatsoever without the written permission of Dell Inc. and Eaton Corporation is strictly forbidden.

Trademarks used in this text: Dell™, the DELL logo, and PowerVault™ are trademarks of Dell Inc. Intel® and Xeon® are registered trademarks of Intel Corporation in the U.S. and other countries.

Other trademarks and trade names may be used in this publication to refer to either the entities claiming the marks and names or their products. Dell Inc. disclaims any proprietary interest in trademarks and trade names other than its own.

**Regulatory Model: E07S Series, DELL500WLV, and DELL500WHV**

**January 2011    P/N PT6XC    Rev. A00**

# Installation and Configuration

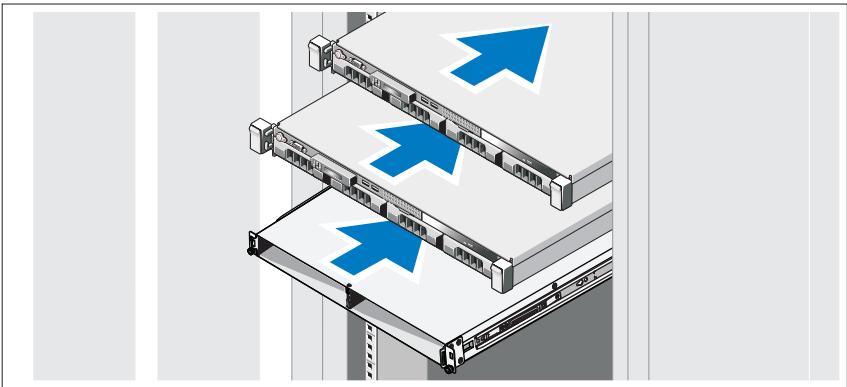
**⚡ DANGER:** Observe the following instruction to help prevent an imminently hazardous situation which, if not avoided, will result in death or serious injury: The backup power supply contains **LETHAL VOLTAGES**. All repairs and service should be performed by **AUTHORIZED SERVICE PERSONNEL ONLY**. There are **NO USER SERVICEABLE PARTS** inside the backup power supply.

**⚠ WARNING:** Before performing the following procedure, review the safety instructions that came with the system.

## Unpacking the Solution

Unpack the solution and identify each item.

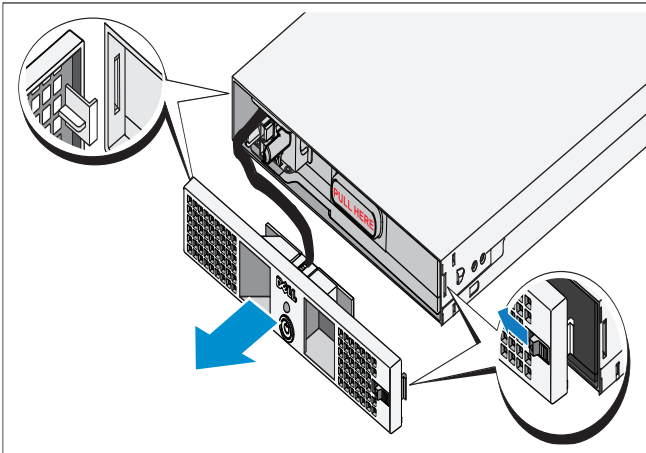
## Installing the Rails, the System, and the Backup Power Supply in a Rack



Assemble the rails and install the system and backup power supply (BPS) in the rack. Follow the safety instructions and the rack installation instructions provided with the solution.

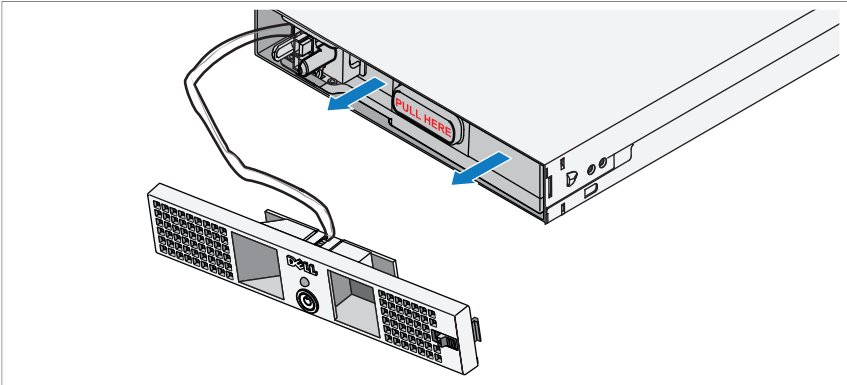
## Connecting the Battery in the BPS Power Module

### Removing the Power Module Front Cover



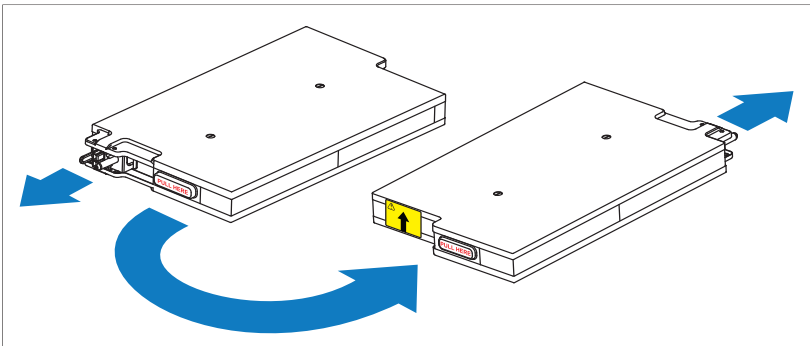
On the right side of the front cover, slide the latch to the left to retract the latch hook. This hook secures the front cover to the right side of the chassis. Pull the right side of the front cover from the chassis. Slide the front cover to the right to disengage the hook. This hook secures the front cover to the left side of the chassis.

## Removing the Battery



Pull the battery out of the power module.

## Rotating the Battery

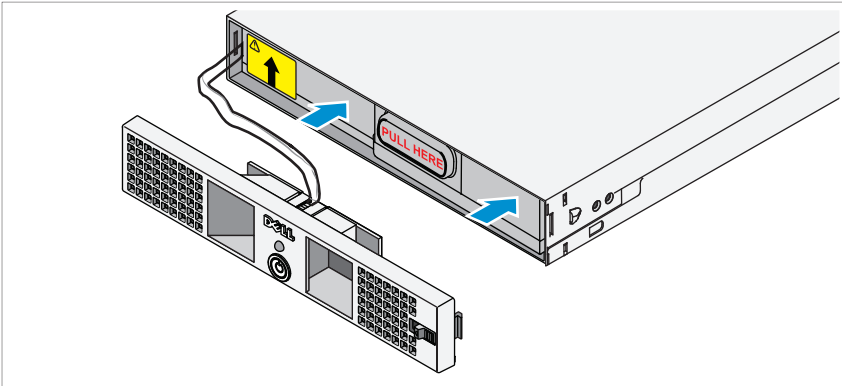


Rotate the battery 180° so the blind mate connector faces toward the back of the power module chassis.



**NOTE:** Ensure that the arrow on the yellow label is pointing up.

## Reinserting the Battery



Align the battery with the power module and reinsert the battery. Ensure that the battery is fully seated in the power module. If the battery is not fully inserted into the power module, the battery front cover will not close properly.



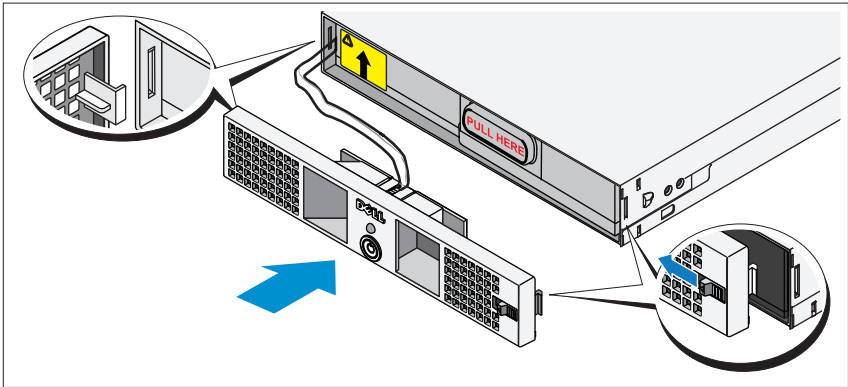
**NOTE:** Always connect the battery pack before connecting the power cable.



**NOTE:** You will not observe the blind mate connectors as they plug into the receptacle in the back of the power module, but a small amount of arcing may occur when connecting the battery pack. This is normal and does not damage the unit or present any safety concern.



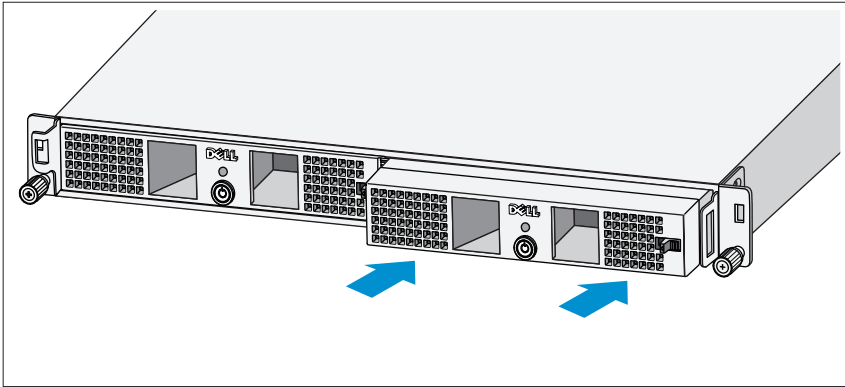
## Securing the Power Module Front Cover



- ⚠ WARNING:** For safety, always attach the power module front cover as soon as the battery pack is inserted and connected.
- ⚠ WARNING:** Align the front cover carefully before securing it to the power module. For safety, do not allow the power module front cover to come in contact with the battery pack.

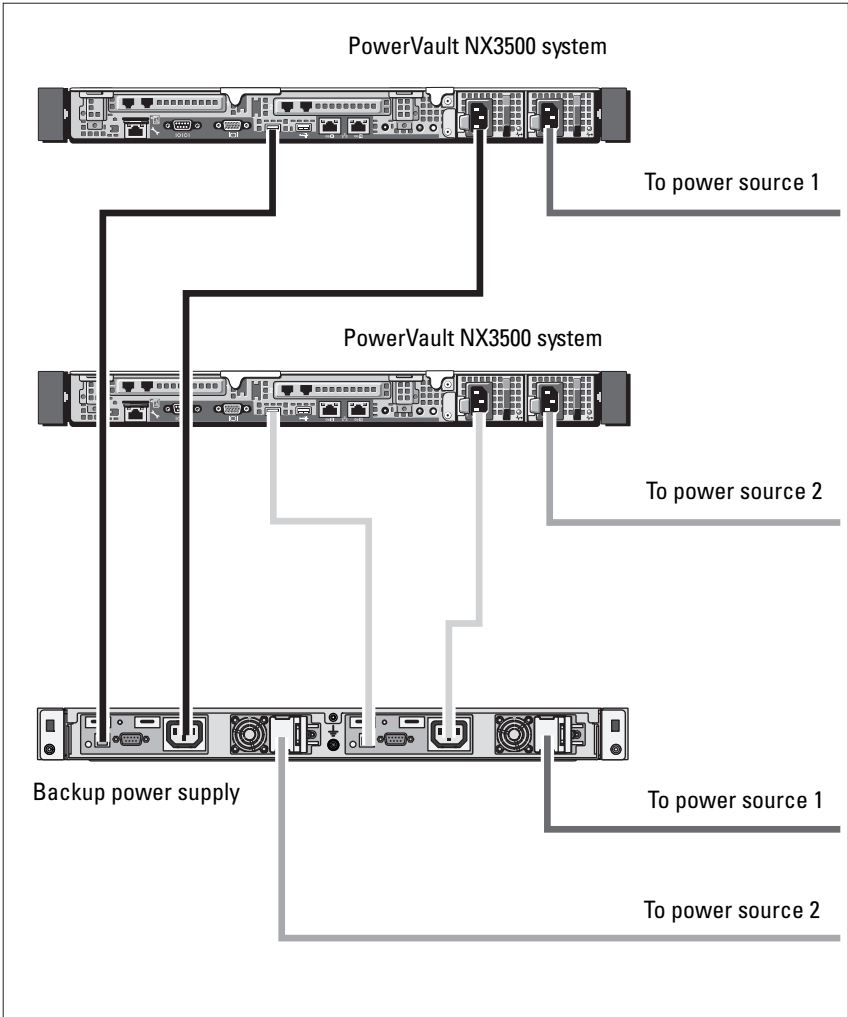
On the left side of the first front cover, insert the hook into the open slot on the left side of the chassis. On the right side of the front cover, slide the latch to the left to retract the latch hook. Push the right side of the front cover forward to the chassis. Release the latch to set the hook into the open slot on the right side of the chassis.

## Inserting the Power Modules



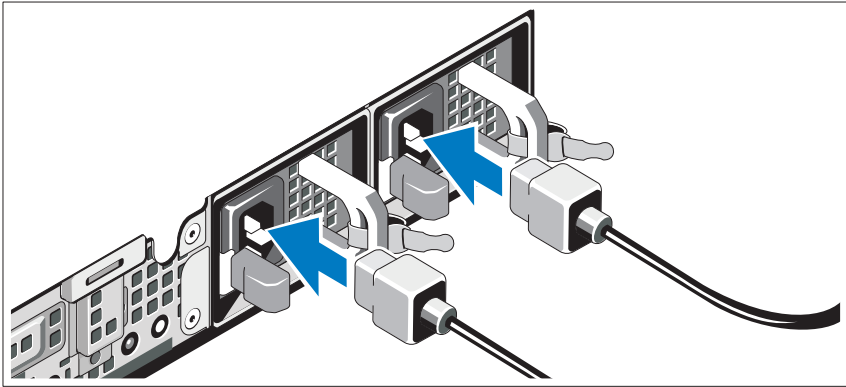
Insert the power modules into the chassis module bay with the back panels toward the back of the chassis.

## Cabling the Solution



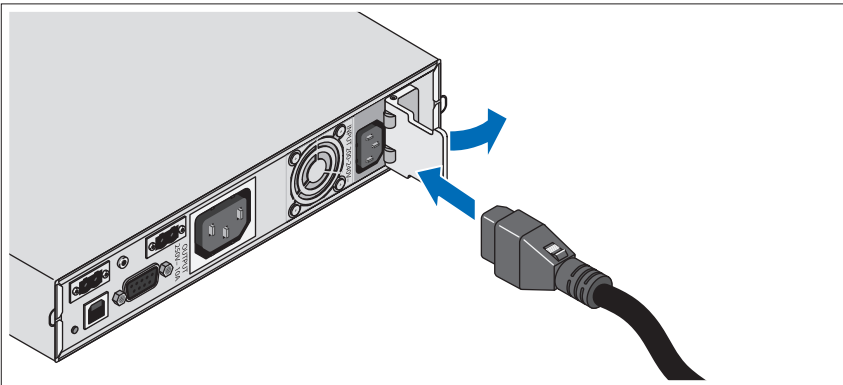
Cable the solution as shown in the illustration.

## Connecting the Power Cable(s)



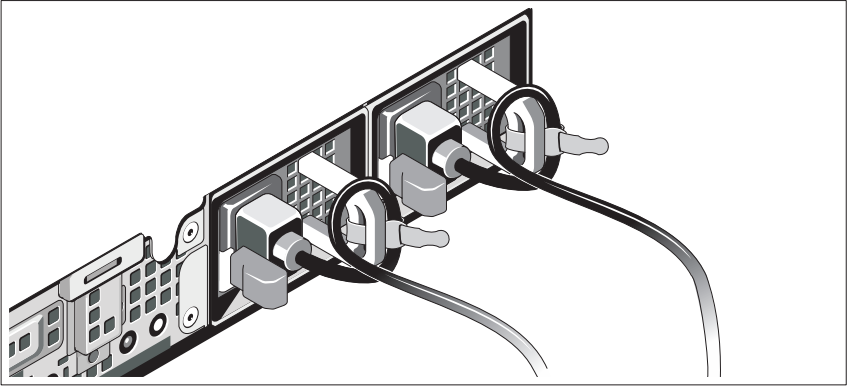
Connect the system's power cable(s) to the system.

- △ **CAUTION:** Both the 120 V (LV) and the 230 V (HV) power modules provide IEC 320 C-13 output receptacles. Only use a power cord rated for the input power source rating labeled next to the input connector on the power module back panel.
- △ **CAUTION:** You must always verify the voltage rating of the BPS. Connecting a 230 Vac into a 120 V BPS will damage the BPS.

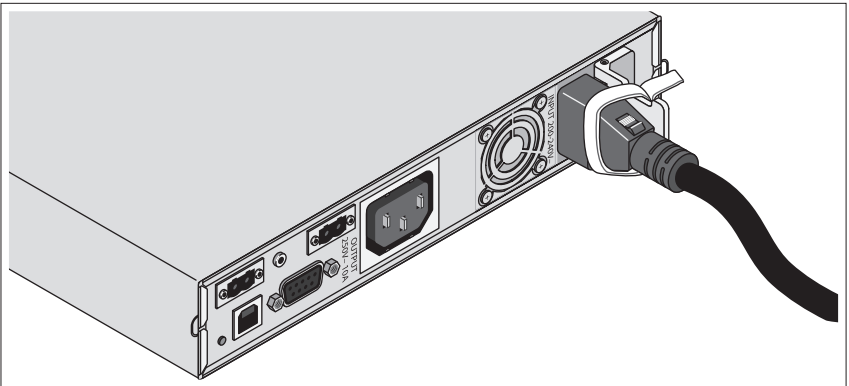


Open the spring-loaded interlock cover for the input connector and connect the power cable to the BPS.

## Securing the Power Cable(s)

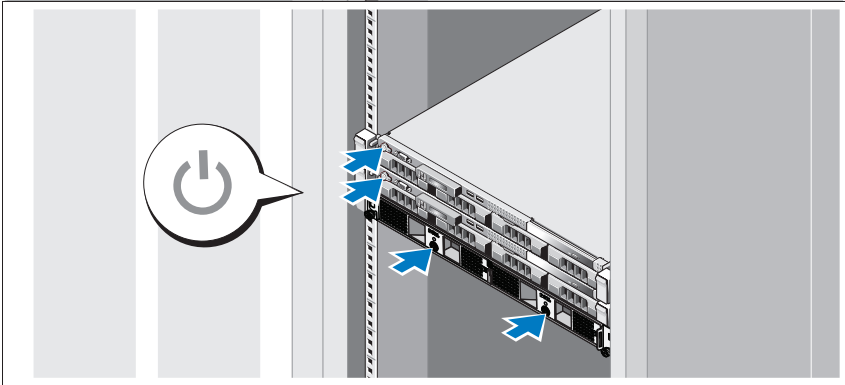


Bend the system power cable(s) into a loop as shown in the illustration and secure the cables to the brackets using the provided strap. Plug the other end of one power cable to a grounded electrical outlet and the other cable to the BPS. For more information, see "Cabling the Solution" on page 9.



Secure the power cable connected to the BPS as shown in the illustration.

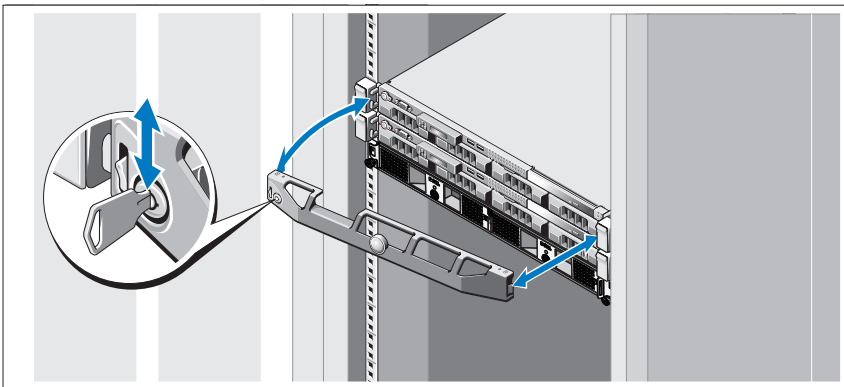
## Turning On the Solution



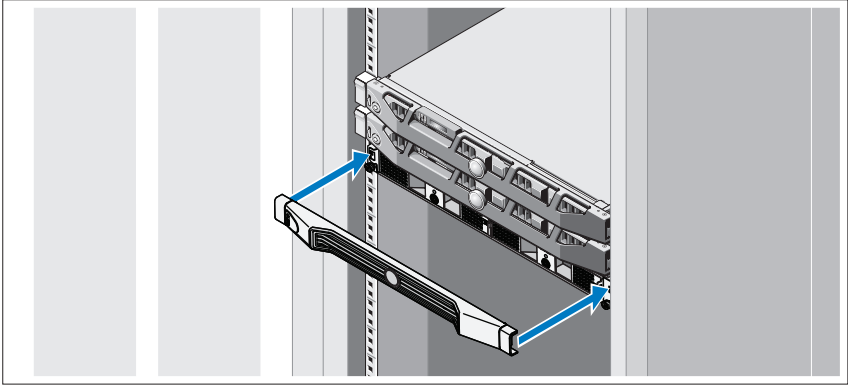
Turn on the components in the following order:

- 1 The BPS
- 2 The PowerVault NX3500 systems

## Installing the Optional Bezel



Install the bezel for the system (optional).



Install the bezel for the BPS (optional).

## Other Information You May Need

**⚠ WARNING:** See the safety and regulatory information that shipped with your system. Warranty information may be included within this document or as a separate document.

- The rack documentation included with your rack solution describes how to install your system into a rack.
- The cable management arm instructions included with your rack solution describes how to install the cable management arm into a rack.
- The *Hardware Owner's Manual* provides information about system features and describes how to troubleshoot the system and install or replace system components. This document is available online at [support.dell.com/manuals](http://support.dell.com/manuals).
- Any media that ships with your system that provides documentation and tools for configuring and managing your system, including those pertaining to the operating system, system management software, system updates, and system components that you purchased with your system.

**✍ NOTE:** Always check for updates on [support.dell.com/manuals](http://support.dell.com/manuals) and read the updates first because they often supersede information in other documents.

## Obtaining Technical Assistance

If you do not understand a procedure in this guide or if the system does not perform as expected, see your *Hardware Owner's Manual*. Dell offers comprehensive hardware training and certification. See [dell.com/training](http://dell.com/training) for more information. This service may not be offered in all locations.

## NOM Information (Mexico Only)

The following information is provided on the device described in this document in compliance with the requirements of the official Mexican standards (NOM):

Importer: Dell Inc. de México, S.A. de C.V.  
Paseo de la Reforma 2620 -11º Piso  
Col. Lomas Altas  
11950 México, D.F.

| Model Number | Supply Voltage | Frequency | Current Consumption |
|--------------|----------------|-----------|---------------------|
| E07S         | 100–240 V CA   | 50/60 Hz  | 5.2–2.6 A           |
| DELL500WLV   | 100–140 V CA   | 50/60 Hz  | 15 A                |
| DELL500WHV   | 200–250 V CA   | 50/60 Hz  | 10 A                |

## Technical Specifications

### PowerVault NX3500 System Specifications

| Processor       |   |
|-----------------|---|
| Processor type  | Intel Xeon processor 3400 series                    |
| Expansion Bus   |   |
| Bus type        | PCI Express Generation 2                            |
| Expansion slots | One x16 half-length slot<br>One x8 half-length slot |
|                 | <b>NOTE:</b> Both the slots support x8 routing.     |



| <b>Memory</b>            |   |
|--------------------------|---|
| Architecture             | 1333-MHz registered parity and non registered DDR-III memory modules          |
| Memory module sockets    | Six 240-pin   |
| Memory module capacities | 2 GB  |
| Maximum RAM              | 12 GB   |
| <b>Drives</b>            |   |
| Hard drives              | Two 3.5" hot-swappable SATA drives  |
| Optical drive            | One internal slimline SATA DVD-ROM<br><b>NOTE:</b> DVD devices are data only. |
| <b>Connectors</b>        |   |
| <b>Back</b>              |   |
| NIC                      | Two RJ-45 (for integrated 1-GB NICs)  |
| Serial                   | 9-pin, DTE, 16550-compatible  |
| USB                      | Two 4-pin, USB 2.0-compliant  |
| Video                    | 15-pin VGA  |
| <b>Front</b>             |   |
| Video                    | 15-pin VGA  |
| USB                      | Two 4-pin, USB 2.0-compliant  |
| <b>Internal</b>          |   |
| USB                      | Two 4-pin, USB 2.0-compliant  |
| <b>Video</b>             |   |
| Video type               | Matrox G200, integrated in BMC  |
| Video memory             | 8 MB graphics memory  |

---

**Power**

---

## AC power supply (per power supply)

|                        |   |
|------------------------|---|
| Wattage                | 400 W   |
| Voltage                | 100–240 VAC, 50/60 Hz   |
| Heat dissipation       | 1666 BTU/hr maximum   |
| Maximum inrush current | Under typical line conditions and over the entire system ambient operating range, the inrush current may reach 25 A per power supply for 10 ms or less. |

## Batteries

|                |                                 |
|----------------|---------------------------------|
| System battery | CR 2032 3.0-V lithium coin cell |
|----------------|---------------------------------|

---

**Physical**

---

|                                |                     |
|--------------------------------|---------------------|
| Height                         | 4.29 cm (1.69 in)   |
| Width                          | 43.4 cm (17.09 in)  |
| Depth                          | 61.26 cm (24.12 in) |
| Weight (maximum configuration) | 15 kg (33.02 lbs)   |
| Weight (empty configuration)   | 5.96 kg (13.12 lbs) |

---

**Environmental**

---

**NOTE:** For additional information about environmental measurements for specific system configurations, see [dell.com/environmental\\_datasheets](http://dell.com/environmental_datasheets).

## Temperature

|           |   |
|-----------|---|
| Operating | 10 °C to 35 °C (50 °F to 95 °F) with a maximum temperature gradation of 10 °C per hour<br><b>NOTE:</b> For altitudes above 2950 feet, the maximum operating temperature is derated 1 °F/550 ft. |
| Storage   | –40 °C to 65 °C (–40 °F to 149 °F) with a maximum temperature gradation of 20 °C per hour   |

---

**Environmental (continued)**

---

## Relative humidity

|           |   |
|-----------|---|
| Operating | 8% to 85% (noncondensing) with a maximum humidity gradation of 10% per hour |
| Storage   | 5% to 95% (noncondensing)   |

## Maximum vibration

|           |                               |
|-----------|-------------------------------|
| Operating | 0.25 G at 3–200 Hz for 15 min |
| Storage   | 0.5 G at 3–200 Hz for 15 min  |

## Maximum shock

|           |   |
|-----------|---|
| Operating | One shock pulse in the positive z axis (one pulse on each side of the system) of 31 G for 2.6 ms in the operational orientation                     |
| Storage   | Six consecutively executed shock pulses in the positive and negative x, y, and z axes (one pulse on each side of the system) of 71 G for up to 2 ms |

## Altitude

|           |  |
|-----------|--|
| Operating | –16 to 3048 m (–50 to 10,000 ft)<br><b>NOTE:</b> For altitudes above 2950 feet, the maximum operating temperature is derated 1°F/550 ft. |
| Storage   | –16 to 10,600 m (–50 to 35,000 ft)   |

## Airborne Contaminant Level

|       |                                  |
|-------|----------------------------------|
| Class | G1 as defined by ISA-S71.04-1985 |
|-------|----------------------------------|

---

**Backup Power Supply Specifications**

---

**BPS Model List**

---

|             |                     |
|-------------|---------------------|
| 120 V Model | Dell BPS 500 W (LV) |
| 230 V Model | Dell BPS 500 W (HV) |

---

**Physical (120 V and 230 V Models)**

---

|                                     |   |
|-------------------------------------|---|
| Dimensions (Width x Height x Depth) | 434 mm x 42 mm x 723 mm (1.4 in x 0.1 in x 2.4 in)<br><b>NOTE: Bezel depth 33 mm (0.1 in) not included.</b> |
| Rack Unit Size                      | 1 U   |
| Weight                              | 30.0 kg (66.1 lb)   |

---

**Electrical Input**

---

|                          |  |
|--------------------------|--|
| Nominal Voltage          |  |
| 120 V Model              | 120 V  |
| 230 V Model              | 230 V  |
| Nominal Voltage Range    |  |
| 120 V Model              | 90–140 V                                     |
| 230 V Model              | 180–264 V                                    |
| Nominal Frequency        |  |
| 120 V and 230 V Models   | 50/60 Hz auto-sensing, $\pm 3$ Hz            |
| Efficiency (Normal Mode) |  |
| 120 V and 230 V Models   | > 96%  |
| Noise Filtering          |  |
| 120 V and 230 V Models   | Full-time EMI/RFI filtering                  |
| Connections              |  |
| 120 V and 230 V Models   | IEC 320-C14, 15 A for UL/CSA, otherwise 10 A |

---

**Electrical Output**

---

|  |           |
|--|-----------|
| Power Levels (Rated at Nominal Inputs) |           |
| 120 V and 230 V Models                 | 500 W     |
| Regulation (Normal mode)               |           |
| 120 V Model                            | 88–140 V  |
| 230 V Model                            | 176–264 V |

---

**Electrical Output *(continued)***

---

Regulation (Battery Mode), Nominal Voltage  $\pm 5\%$

120 V Model 100–140 V

230 V Model 200–250 V

Voltage Waveform

120 V and 230 V Models Sine wave

Output Receptacles

120 V and 230 V Models IEC 320-C13, 15 A for UL/CSA, otherwise 10 A

---

**Environmental and Safety**

---

Operating Temperature

120 V and 230 V Models 0 °C to 40 °C (32 °F to 104 °F)

Transit/Storage Temperature

120 V and 230 V Models Transit: -15 °C to 60 °C (5 °F to 140 °F)

Storage: -15 °C to 45 °C (5 °F to 113 °F)

Relative Humidity

120 V and 230 V Models 0–95% noncondensing

Operating Altitude

120 V and 230 V Models Up to 3,048 m (0–10,000 ft) above sea level

Audible Noise

120 V and 230 V Models Less than 50 dBA typical

Surge Suppression

120 V and 230 V Models ANSI/IEEE C62.41; 1991 Category B3

Safety Conformance

120 V Model UL 1778 4th Edition; CSA C22.2, No. 107.3

230 V Model UL 1778 4th Edition; CSA C22.2, No. 107.3;  
IEC/EN 62040-1-1; IEC/EN 60950-1

---

**Environmental and Safety (continued)**

---

## Safety Markings

|             |   |
|-------------|---|
| 120 V Model | UL, cUL, NOM, BSMI  |
| 230 V Model | GS, CE, GOST, NRCS, TISI, KC, CQC, BSMI,<br>UL, cUL, KVALITET, KONCAR, OTAN,<br>UKSERT, Uzbekistan GOST |

## EMC (Class B)

|             |  |
|-------------|--|
| 120 V Model | FCC Part 15, CNS13438, KN22: 2005, VCCI  |
| 230 V Model | FCC Part 15, CNS13438, AS/NZS 62040.2,<br>KN22: 2005, GB7260.2, EN62040-2,<br>CISPR 22: 2006 |

---

**Battery (120 V and 230 V Models)**

---

|               |  |
|---------------|--|
| Configuration | 500 W: (4) 6 V, 9.0 Ah internal batteries  |
| Battery Type  | 9.0 Ah   |
| Voltage       | 500 W: 24 Vdc internal   |
| Fuses         | BPS: (2) 40 A fuses  |
| Type          | Sealed, maintenance-free, valve-regulated,<br>lead-acid  |
| Charging      | Approximately 8 hours to 90% from a discharge of<br>50% rated load (usable capacity at nominal line<br>and no supplementary power supply load) |
| Monitoring    | Advanced monitoring for earlier failure detection<br>and warning   |

# Dell PowerVault NX3500 系统

## 系统使用入门

管制型号：E07S 系列。  
DELL500WLV 和 DELL500WHV



# 注、注意、警告和危险



**注：**“注”表示可以帮助您更好地使用计算机的重要信息。



**小心：**“注意”表示如果不遵循说明，就有可能损坏硬件或导致数据丢失。



**警告：**“警告”表示可能会导致财产损失、人身伤害甚至死亡。



**危险：**“危险”表示紧急危险情况，如果发生此类情况，则会导致死亡或严重伤害。

---

本出版物中的信息如有更改，恕不另行通知。

© 2011 Dell Inc. ; Eaton Corporation. 版权所有，翻印必究。

未经 Dell Inc. 和 Eaton Corporation 书面许可，严禁以任何形式复制这些材料。

本文中使用的商标：Dell™、DELL 徽标和 PowerVault™ 是 Dell Inc. 的商标。Intel® 和 Xeon® 是 Intel Corporation 在美国和其他国家 / 地区的注册商标。


本出版物中可能使用其它商标和产品名称提及拥有相应商标和名称的实体或其制造的产品。Dell Inc. 对其它公司的商标和名称不拥有任何所有权。

管制型号：E07S 系列、DELL500WLV 和 DELL500WHV

2011 年 1 月      P/N PT6XC      Rev. A00



## 安装和配置

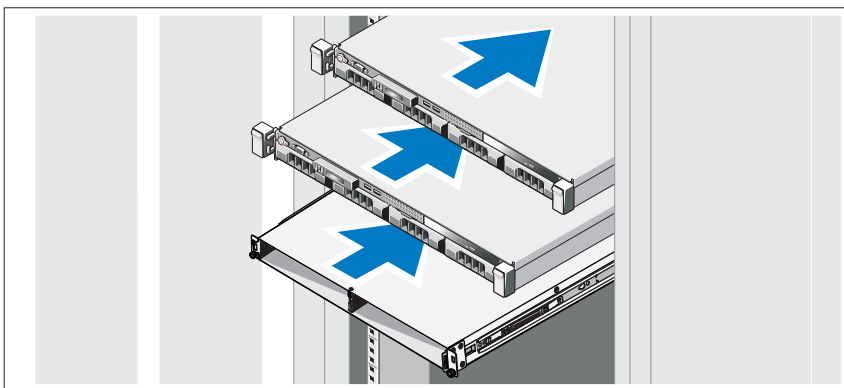
 **危险：**请遵照以下说明以便防止紧急危险情况，如果发生此类情况，则会导致死亡或严重伤害：备用电源设备带有可致命电压。所有维修和维护都必须由得到授权的人员执行。备用电源设备中没有用户可维修的部件。

 **警告：**执行下列步骤之前，请查看系统随附的安全说明。

### 打开包装

打开包装并确认每件物品。

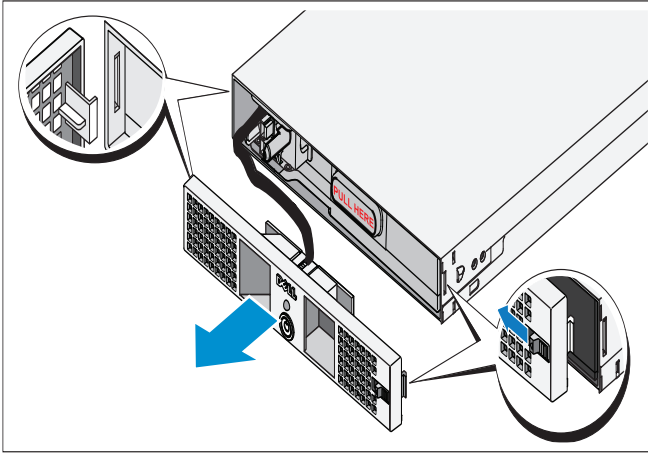
### 在机架中安装导轨、系统和备用电源设备



在机架中装配导轨并安装系统和备用电源设备 (BPS)。请遵照随解决方案提供的安全说明和机架安装说明。

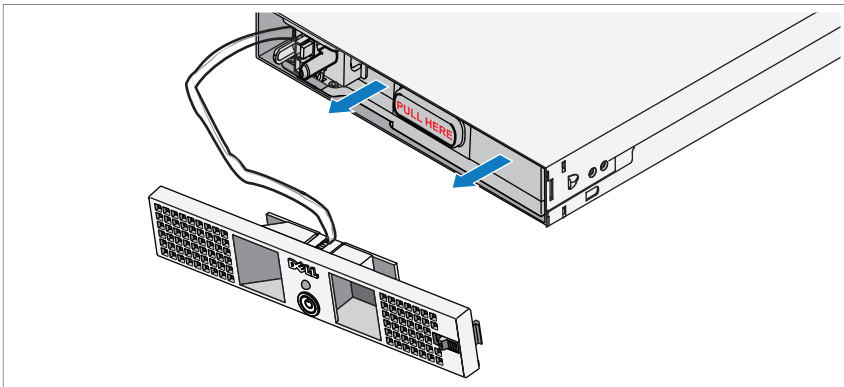
## 连接 BPS 电源模块中的电池

### 移开电源模块前护盖



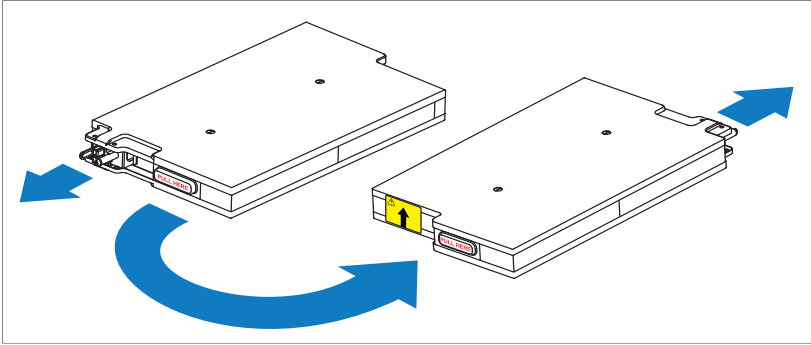
在前护盖的右侧，将闩锁滑动至左侧以缩回闩锁挂钩。该挂钩将护盖固定到底盘的右侧。从底盘拉动前护盖的右侧。将前护盖滑动至右侧以断开挂钩的啮合。该挂钩将护盖固定到底盘的右侧。

### 取出电池




从电源模块中拉出电池。

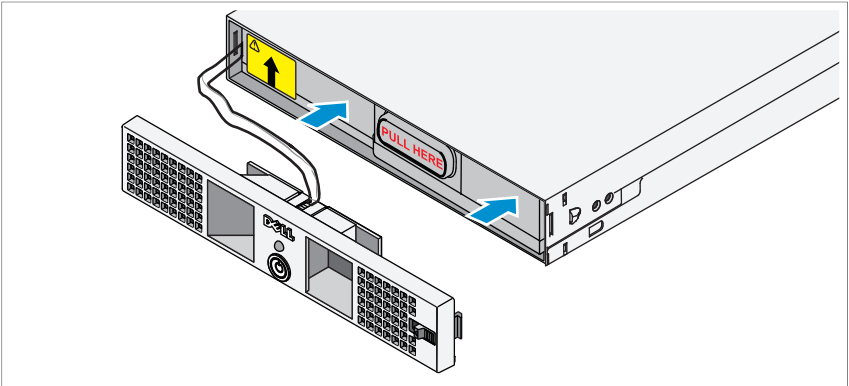
## 转动电池




将电池转动 180°，使得盲插接头朝向电源模块底盘的背部。


 **注：** 确保黄色标签上的箭头指向上方。

## 重新插入电池

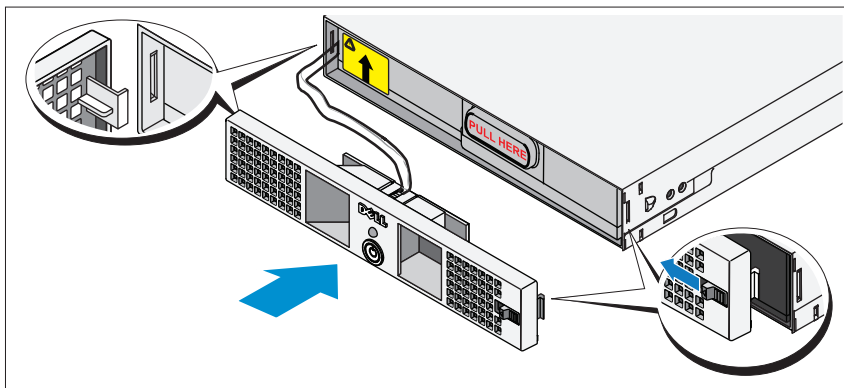


将电池与电源模块对齐，并重新插入电池。确保电池在电源模块中完全就位。如果电池未完全插入电源模块，则无法正确关闭电池前护盖。

 **注：** 在连接电源电缆前务必先连接电池组。

 **注：** 在将盲插接头插入电源模块背部的插座时，可能看不到这些接头，但是在连接电池组时会产生少量电弧。这属于正常情况，不会造成设备损坏或任何安全问题。

## 固定电源模块前护盖

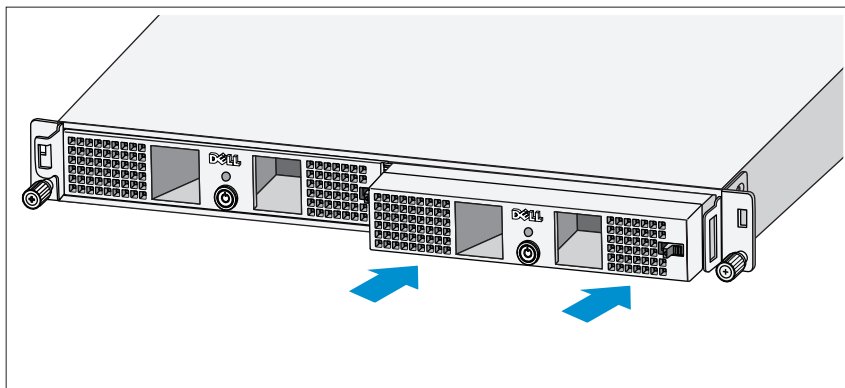


**警告：**出于安全考虑，一旦插入并连接电池组，就必须立即装上电源模块前护盖。

**警告：**将电源前护盖固定到电源模块上之前，要小心对齐前护盖。出于安全考虑，请不要让电源模块前护盖接触电池组。

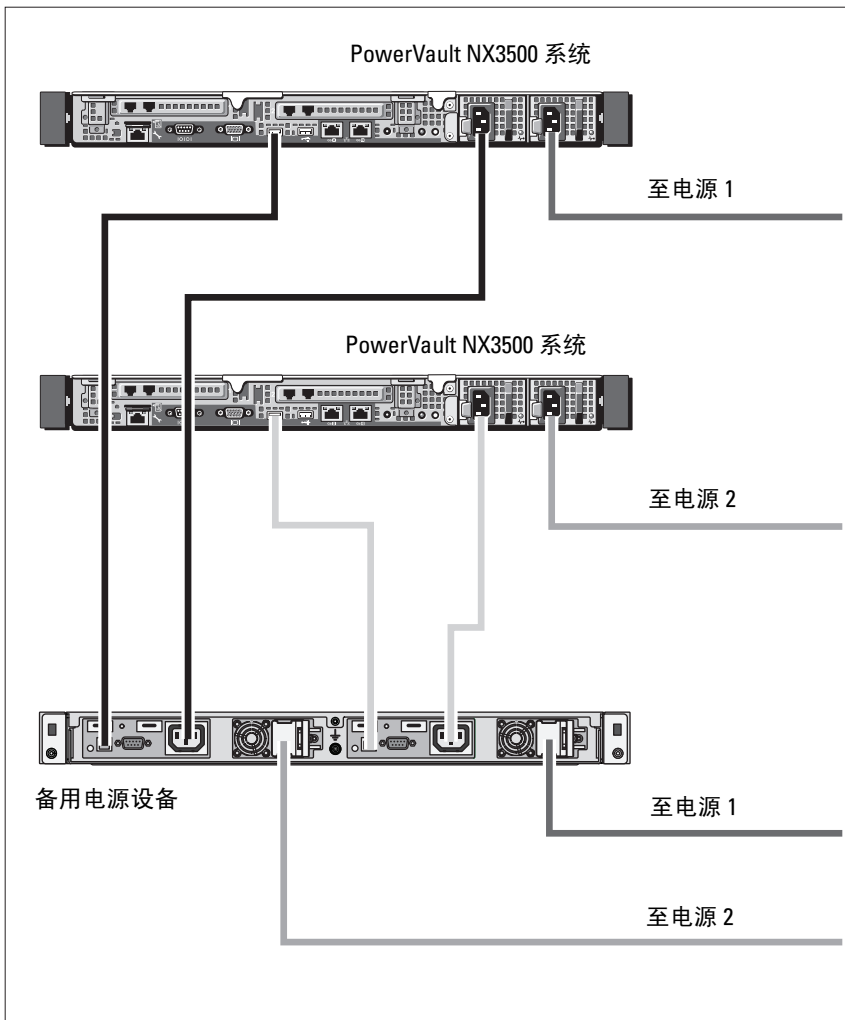
在前护盖的左侧，将挂钩插入底盘左侧的开口插槽。在前护盖的右侧，将闩锁滑动至左侧以缩回闩锁挂钩。将前护盖的右侧朝向底盘推动。释放闩锁，以将挂钩设置在底盘右侧的开口插槽中。

## 插入电源模块



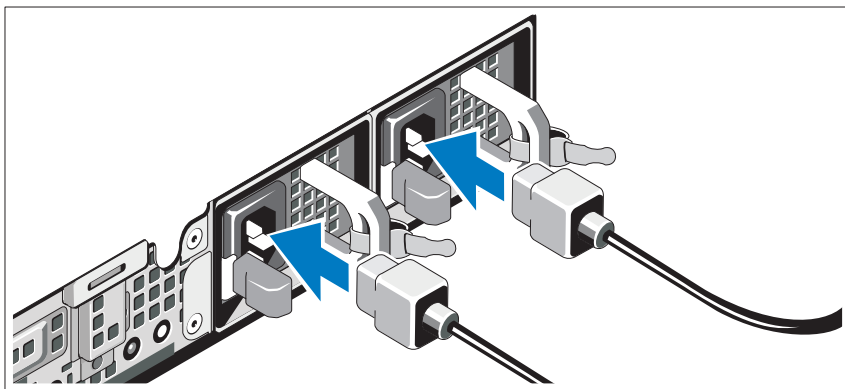
将电源模块插入底盘模块托架中，使背板朝向底盘背部。

## 解决方案布线



如图所示为解决方案布线。

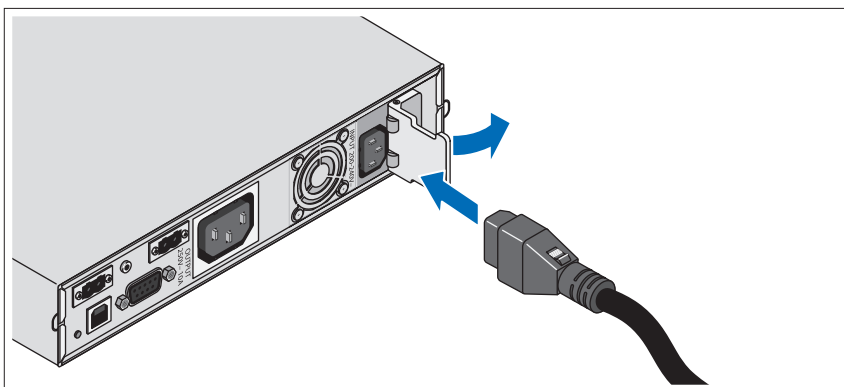
## 连接电源电缆



将系统的电源电缆连接到系统上。

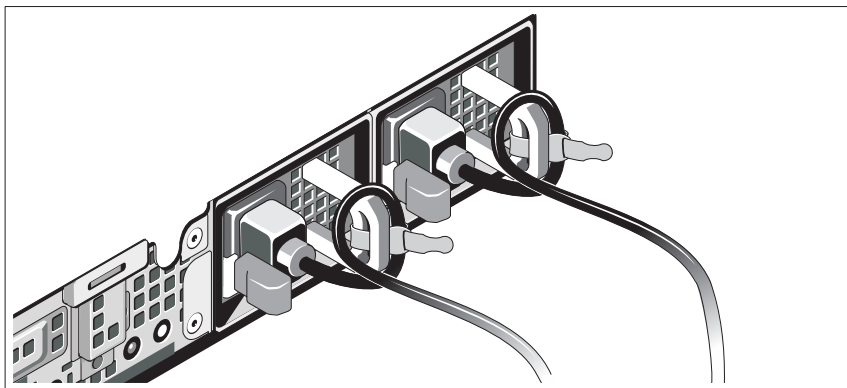
△ **小心：** 120 V (LV) 和 230 V (HV) 电源模块都可提供 IEC 320 C-13 输出插座。使用的电源线必须符合电源模块背板输入接口旁标记的输入电源额定值。

△ **小心：** 务必始终检查 BPS 的额定电压。将 230 V 交流电源连接至 120 V BPS 将导致 BPS 损坏。

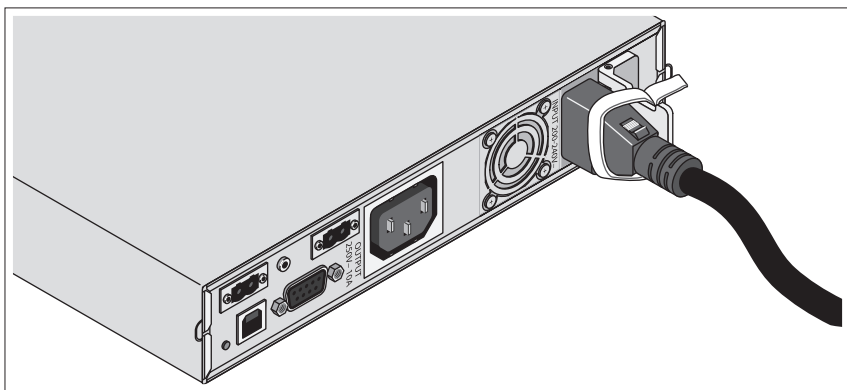


打开输入接口的装有弹簧的互锁护盖，然后将电源线连接至 BPS。

## 固定电源电缆

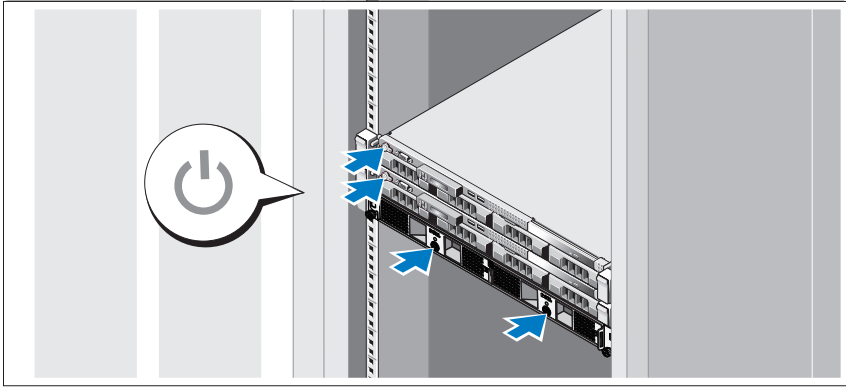


如图所示，将系统电源电缆弯成环状，并使用提供的扎带将其固定到支架上。将一根电源线的另一端插入接地插座，将另一根电源线插入 BPS。有关详情，请参阅第 27 页的“解决方案布线”。



如图所示，将连接至 BPS 的电源线固定。

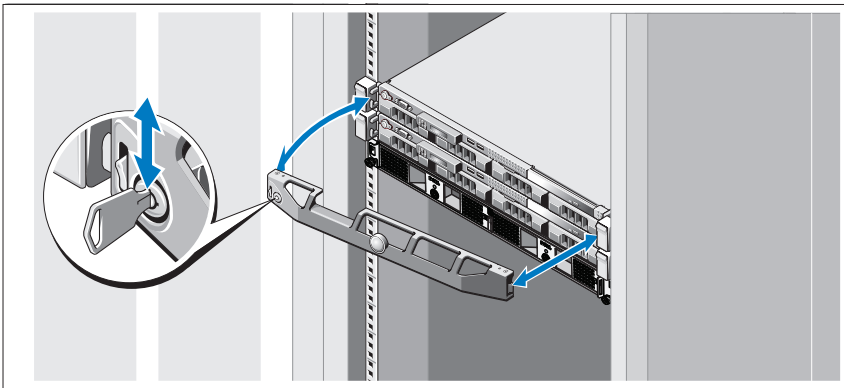
## 启动装置



按以下顺序启动组件：

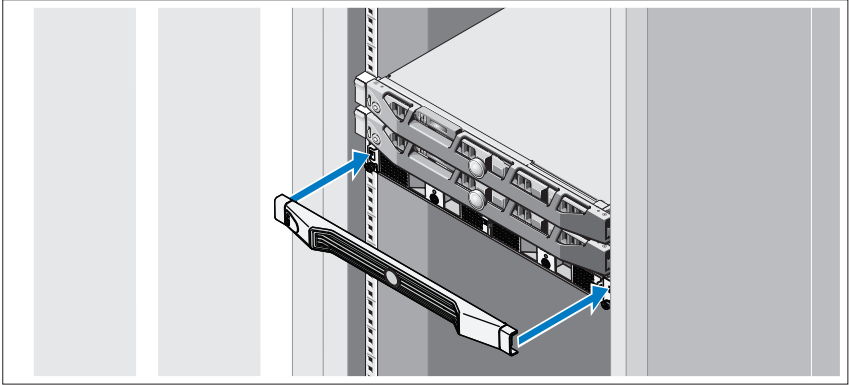
- 1 BPS
- 2 PowerVault NX3500 系统

## 安装可选挡板



安装系统挡板（可选）。





安装 BPS 挡板（可选）。

## 可能需要的其它信息

**警告：** 请参阅系统附带的安全与管制信息。保修信息可能包括在该说明文件中，也可能作为单独的说明文件提供。

- 机架解决方案附带的机架说明文件介绍了如何将系统安装到机架中。
- 随机架解决方案提供的理线臂说明介绍了在机架中安装理线臂的方法。
- 《硬件用户手册》提供了有关系统功能的信息，并说明了如何排除系统故障以及安装或更换系统组件。可在 [support.dell.com/manuals](http://support.dell.com/manuals) 在线获取该说明文件。
- 系统随附的任何介质，它提供了用于配置和管理系统的说明文件和工具，包括与操作系统、系统管理软件、系统更新软件以及随系统购买的系统组件相关的文件和工具。

**注：** 请经常访问 [support.dell.com/manuals](http://support.dell.com/manuals) 以获得更新，并首先阅读这些更新，因为这些更新通常会取代其它说明文件中的信息。

## 获得技术帮助

如果您对本指南中的步骤有疑问，或系统运行无法达到预期效果，请参阅《硬件用户手册》。Dell 提供全面的硬件培训和认证。有关详情，请参阅 [dell.com/training](http://dell.com/training)。此项服务可能并非在所有地区都提供。

## NOM 信息（仅限于墨西哥）

本说明文件中提及的符合墨西哥官方标准 (NOM) 要求的设备上均具有以下信息：

进口商： Dell Inc. de México, S.A. de C.V.  
Paseo de la Reforma 2620 -11º Piso  
Col. Lomas Altas  
11950 México, D.F.

| 型号         | 电源电压           | 频率       | 电流消耗        |
|------------|----------------|----------|-------------|
| E07S       | 100 – 240 V CA | 50/60 Hz | 5.2 – 2.6 A |
| DELL500WLV | 100 – 140 V CA | 50/60 Hz | 15 A        |
| DELL500WHV | 200 – 250 V CA | 50/60 Hz | 10 (A)      |

## 技术规格

### PowerVault NX3500 系统规格

#### 处理器

处理器类型 Intel Xeon 处理器 3400 系列

#### 扩充总线

总线类型 PCI Express 第 2 代

扩充槽 一个 x16 半长插槽

一个 x8 半长插槽

**注：**两个插槽均支持 x8 布线。

#### 内存

架构 1333-MHz 带寄存器的奇偶校验和不带寄存器的 DDR-III 内存模块

内存模块插槽 六个 240 针

内存模块容量 2 GB

最大 RAM 12 GB

---

## 驱动器

---

|       |                       |
|-------|-----------------------|
| 硬盘驱动器 | 两个 3.5" 可热交换 SATA 驱动器 |
| 光盘驱动器 | 一个内部细长型 SATA DVD-ROM  |

**注：** DVD 设备仅用于数据。

---

## 连接器

---

### 背面

|     |                          |
|-----|--------------------------|
| NIC | 两个 RJ-45（用于集成的 1 GB NIC） |
| 串行  | 9 针、DTE、16550 兼容         |
| USB | 两个 4 针、USB 2.0 兼容        |
| 视频  | 15 针 VGA                 |

### 正面

|     |                   |
|-----|-------------------|
| 视频  | 15 针 VGA          |
| USB | 两个 4 针、USB 2.0 兼容 |

### 内部

|     |                   |
|-----|-------------------|
| USB | 两个 4 针、USB 2.0 兼容 |
|-----|-------------------|

---

## 视频

---

|      |                      |
|------|----------------------|
| 视频类型 | Matrox G200，BMC 内部集成 |
| 视频内存 | 8 MB 图形内存            |

---

## 电源

---

### 交流电源设备（每个电源设备）

|        |  |
|--------|--|
| 功率     | 400 W  |
| 电压     | 100 – 240 VAC、50/60 Hz                                   |
| 散热     | 最大 1666 BTU/小时   |
| 最大涌入电流 | 在典型的线路条件下和整个系统环境运行范围内，每个电源设备在 10 毫秒或更短时间内的涌入电流可能达到 25 A。 |

### 电池

|      |                     |
|------|---------------------|
| 系统电池 | CR 2032 3.0 V 币形锂电池 |
|------|---------------------|

---

---

## 物理规格

---

|           |                     |
|-----------|---------------------|
| 高度        | 4.29 厘米 (1.69 英寸)   |
| 宽度        | 43.4 厘米 (17.09 英寸)  |
| 厚度        | 61.26 厘米 (24.12 英寸) |
| 重量 (最大配置) | 15 千克 (33.02 磅)     |
| 重量 (空配置)  | 5.96 千克 (13.12 磅)   |

---

## 环境参数

---

**注：**有关特定系统配置的环境测量值的其他信息，请参阅 [dell.com/environmental\\_datasheets](http://dell.com/environmental_datasheets)。

### 温度

运行时 10 °C 至 35 °C (50 °F 至 95 °F)，最大温度变化梯度为每小时 10 °C

**注：**海拔高度在 2950 英尺以上时，最高操作温度按 1 °F/550 英尺降低

存储 -40 °C 至 65 °C (-40 °F 至 149 °F)，最大温度变化梯度为每小时 20 °C

### 相对湿度

运行时 8% 至 85% (非冷凝)，最大湿度变化梯度为每小时 10%

存储 5% 至 95% (非冷凝)

### 最大振动

运行时 在 3 – 200 Hz、0.25 G 时，可持续 15 分钟

存储 在 3 – 200 Hz、0.5 G 时，可持续 15 分钟

### 最大撞击

运行时 在操作方向上，z 轴正方向可承受一个 31 G 的撞击脉冲 (系统每一面承受一个脉冲)，最多可持续 2.6 毫秒

存储 x、y 和 z 轴正负方向上可承受连续六个 71 G 的撞击脉冲 (系统每一面承受一个脉冲)，最长可持续 2 毫秒

---

## 环境参数 (续)

---

### 海拔高度

#### 运行时

-16 至 3048 米 (-50 至 10,000 英尺)

**注：**海拔高度在 2950 英尺以上时，最高操作温度按 1 °F/550 英尺降低。

#### 存储

-16 到 10,600 米 (-50 到 35,000 英尺)

### 气载污染物级别

#### 级别

G1 (依据 ISA-S71.04-1985 定义的标准)

---

## 备用电源设备规格

---

### BPS 型号列表

---

#### 120 V 型号

Dell BPS 500 W (LV)

#### 230 V 型号

Dell BPS 500 W (HV)

---

### 物理规格 (120 V 和 230 V 型号)

---

#### 尺寸 (宽 x 高 x 厚)

434 毫米 x 42 毫米 x 723 毫米  
(1.4 英寸 x 0.1 英寸 x 2.4 英寸)

**注：**不含挡板厚度 33 毫米 (0.1 英寸)。

#### 机架装置尺寸

1 U

#### 重量

30.0 千克 (66.1 磅)

---

### 电力输入

---

#### 标称电压

##### 120 V 型号

120 V

##### 230 V 型号

230 V

#### 标称电压范围

##### 120 V 型号

90 – 140 V

##### 230 V 型号

180 – 264 V

#### 标称频率

##### 120 V 和 230 V 型号

50/60 Hz 自动感应，± 3 Hz

---

## 电力输入 (续)

---

### 效率 (普通模式)

120 V 和 230 V 型号 > 96%

### 噪音过滤

120 V 和 230 V 型号 随时 EMI/RFI 过滤

### 连接

120 V 和 230 V 型号 IEC 320-C14, 对于 UL/CSA 为 15 A, 否则为 10 A

---

## 电气输出

---

### 功率级别 (标称输入下的额定值)

120 V 和 230 V 型号 500 W

### 整流 (普通模式)

120 V 型号 88 – 140 V

230 V 型号 176 – 264 V

### 整流 (电池模式), 标称电压 $\pm$ 5%

120 V 型号 100 – 140 V

230 V 型号 200 – 250 V

### 电压波形

120 V 和 230 V 型号 正弦波

### 输出插座

120 V 和 230 V 型号 IEC 320-C13, 对于 UL/CSA 为 15 A, 否则为 10 A

---

## 环境和安全

---

### 工作温度

120 V 和 230 V 型号                      0 °C 至 40 °C (32 °F 至 104 °F)

### 运输 / 存放温度

120 V 和 230 V 型号                      运输: -15 °C 至 60 °C (5 °F 至 140 °F)  
运输: -15 °C 至 45 °C (5 °F 至 113 °F)

### 相对湿度

120 V 和 230 V 型号                      0 – 95% 无冷凝

### 工作海拔高度

120 V 和 230 V 型号                      最高海拔 3,048 米 (0 – 10,000 英尺)

### 可闻噪音

120 V 和 230 V 型号                      通常小于 50 dBA

### 突波抑制

120 V 和 230 V 型号                      ANSI/IEEE C62.41 ; 1991 类 B3

### 安全合规性

120 V 型号                                      UL 1778 第 4 版; CSA C22.2, 编号 107.3

230 V 型号                                      UL 1778 第 4 版; CSA C22.2, 编号 107.3 ;  
IEC/EN 62040-1-1 ; IEC/EN 60950-1

### 安全标记

120 V 型号                                      UL、cUL、NOM、BSMI

230 V 型号                                      GS、CE、GOST、NRCS、TISI、KC、CQC、  
BSMI、UL、cUL、KVALITET、KONCAR、  
OTAN、UKSERT、Uzbekistan GOST

### EMC (B 类)

120 V 型号                                      FCC 第 15 部分, CNS13438, KN22: 2005,  
VCCI

230 V 型号                                      FCC 第 15 部分, CNS13438,  
AS/NZS 62040.2, KN22: 2005, GB7260.2,  
EN62040-2, CISPR 22: 2006

---

## 电池 (120 V 和 230 V 型号)

---

|       |  |
|-------|--|
| 配置    | 500 W: (4) 6 V, 9.0 Ah 内部电池                        |
| 电池类型: | 9.0 Ah   |
| 电压    | 500 W: 24 Vdc 内部                                   |
| 保险丝   | BPS: (2) 40 A 保险丝                                  |
| 类型    | 密封、免维护、阀控式、铅酸                                      |
| 充电    | 放电 50% 的情况下 (标称线上的可用容量, 并且无附加电源负荷) 充至 90% 约需 8 个小时 |
| 监测    | 先进监测功能, 可发现早期故障并发出警告                               |



Sistem Dell PowerVault  
NX3500

# Memulai Pengaktifan dengan Sistem Anda

**Model Resmi: Seri E07S,  
DELL500WLV, dan DELL500WHV**



# Catatan, Perhatian, Peringatan, dan Bahaya



**CATATAN:** CATATAN menunjukkan informasi penting yang membantu Anda untuk menggunakan komputer dengan lebih baik.



**PERHATIAN:** PERHATIAN menunjukkan kerusakan potensial pada perangkat keras atau kehilangan data jika Anda tidak mengikuti instruksi yang diberikan.



**PERINGATAN:** PERINGATAN menunjukkan potensi terjadinya kerusakan properti, cedera pada seseorang, atau kematian.



**BAHAYA:** BAHAYA menunjukkan situasi berbahaya dapat terjadi, jika tidak dihindari, akan berakibat cedera serius atau kematian.

---

Informasi dalam publikasi ini dapat berubah tanpa pemberitahuan.

© 2011 Dell Inc.; Eaton Corporation. Hak cipta dilindungi undang-undang.

Dilarang keras memperbanyak materi ini dengan cara apa pun tanpa izin tertulis dari Dell Inc. dan Eaton Corporation.

Merek dagang yang digunakan dalam teks ini: Dell™, logo DELL, dan PowerVault™ merupakan merek dagang dari Dell Inc., Intel® dan Xeon® merupakan merek dagang terdaftar dari Intel Corporation di Amerika Serikat dan negara lain.

Merek dagang dan nama dagang lain mungkin digunakan dalam dokumen ini untuk merujuk ke pihak lain yang memiliki hak kekayaan intelektual atas merek dan nama atau produk mereka. Dell Inc. menyangkal kepentingan kepemilikan apa pun atas merek dagang dan nama dagang selain miliknya sendiri.

Model Resmi: Seri E07S, DELL500WLV, dan DELL500WHV

Januari 2011      No. Komp. PT6XC      Rev. A00

# Instalasi dan Konfigurasi

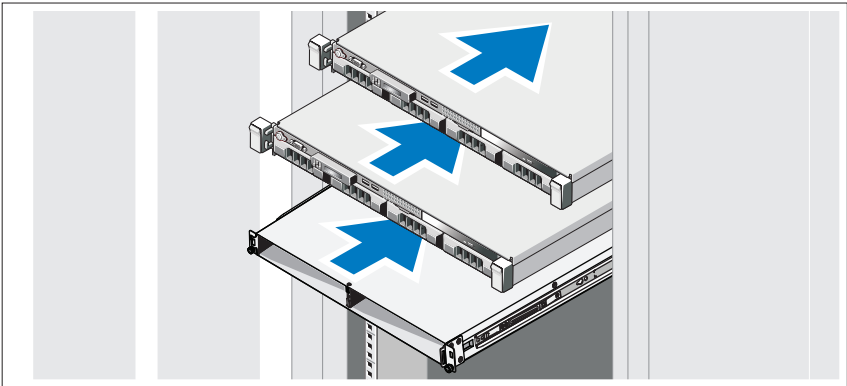
**⚡ BAHAYA:** Perhatikan petunjuk berikut untuk membantu mencegah terjadinya situasi berbahaya, jika tidak dihindari, akan berakibat cedera serius atau kematian: Catu daya cadangan mengandung **TEGANGAN LETHAL**. Semua perbaikan dan servis harus dilakukan oleh **STAF SERVIS RESMI SAJA. TIDAK ADA KOMPONEN DAPAT DISERVIS PENGGUNA** di dalam catu daya cadangan.

**⚠ PERINGATAN:** Sebelum melakukan prosedur berikut, bacalah petunjuk keselamatan yang disertakan dengan sistem.

## Membuka Kemasan Solusi

Membuka kemasan solusi dan mengidentifikasi setiap komponen.

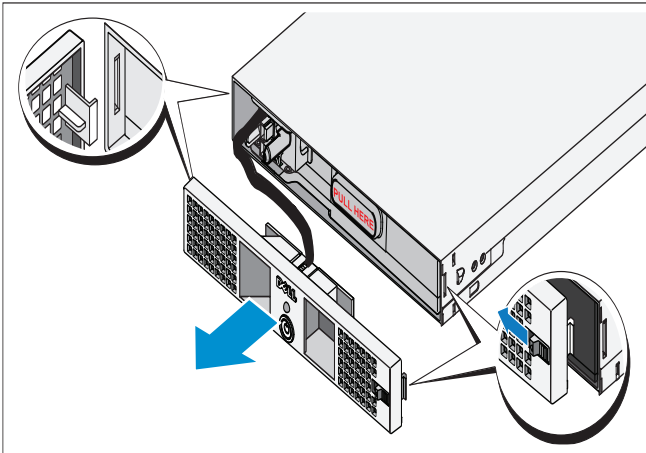
## Memasang Rel, Sistem, dan Catu Daya Cadangan pada sebuah Rak



Rakit rel dan pasang sistem dan catu daya cadangan (BPS) dalam rak. Ikuti instruksi keselamatan dan instruksi pemasangan rak yang diberikan bersama perangkat solusi.

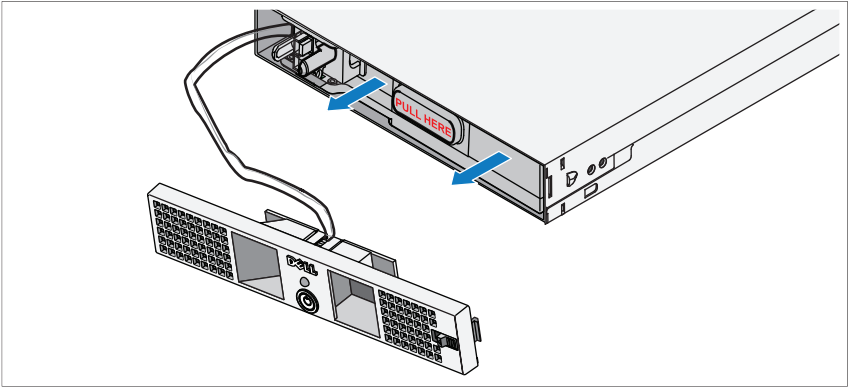
## Menyambungkan Baterai pada Modul Daya BPS

### Melepaskan Penutup Depan Modul Daya



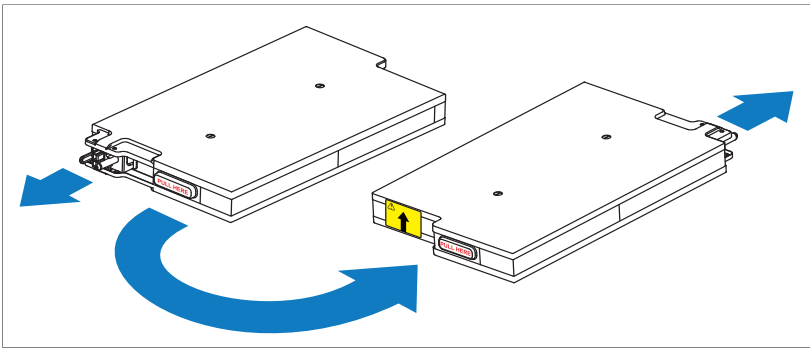
Pada sisi kanan penutup depan, geser kait ke kiri untuk menarik ke dalam kaitannya. Kaitan ini mengamankan penutup depan ke sisi kanan sasis. Tarik sisi kanan penutup depan dari sasis. Geser penutup depan ke kanan untuk melepaskan pengait. Pengait ini akan menahan penutup depan ke sisi kiri sasis.

## Melepaskan Baterai



Keluarkan baterai dari modul daya.

## Merotasi Baterai

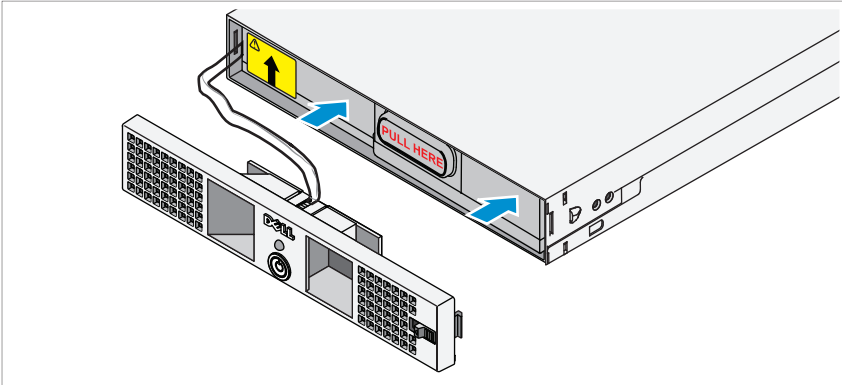


Rotasikan baterai 180° hingga konektor blind mate menghadap bagian belakang sasis modul daya.





**CATATAN:** Pastikan panah pada label kuning menunjuk ke atas.

## Pasang kembali Baterai

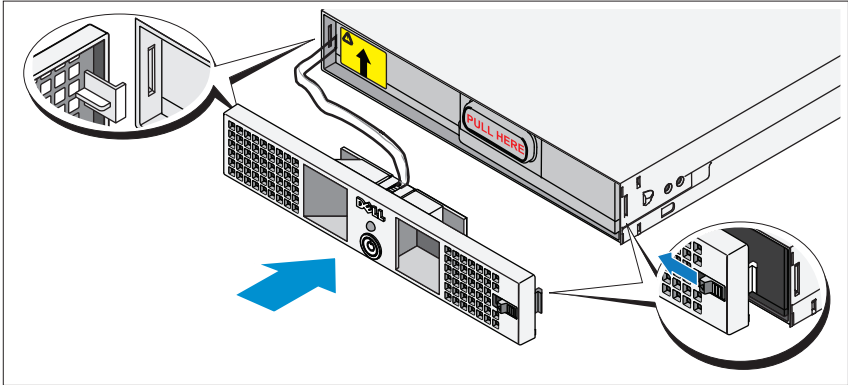


Luruskan baterai dengan modul daya dan masukkan kembali baterai. Pastikan baterai terpasang sepenuhnya pada modul daya. Jika baterai tidak terpasang sepenuhnya pada modul daya, penutup depan baterai tidak dapat menutup dengan baik.

 **CATATAN:** Selalu sambungkan unit baterai sebelum menyambungkan kabel daya.

 **CATATAN:** Anda tidak akan memperhatikan konektor blind mate ketika dihubungkan pada outlet di bagian belakang modul daya, akan tetapi percikan listrik dapat muncul saat menyambungkan unit baterai. Hal ini normal dan tidak merusak unit atau membahayakan keselamatan.

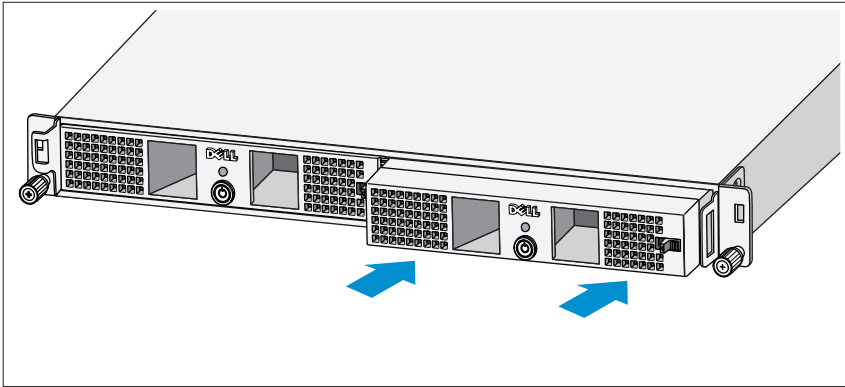
## Memasang Penutup Depan Modul Daya



- ⚠ PERINGATAN:** Untuk keselamatan, selalu pasang penutup depan modul daya segera setelah unit baterai dipasang dan dihubungkan.
- ⚠ PERINGATAN:** Luruskan penutup depan secara hati-hati sebelum mengencangkannya pada modul daya. Untuk keselamatan, hindari kontak penutup depan modul daya dengan unit baterai.

Pada sisi kiri penutup depan pertama, masukkan pengait ke dalam slot pada sisi kiri sasis. Pada sisi kanan penutup depan, geser kait ke kiri untuk menarik kembali pengait. Dorong sisi kanan penutup depan ke arah sasis. Lepaskan kait untuk menyetel pengait ke dalam slot pada sisi kanan sasis.

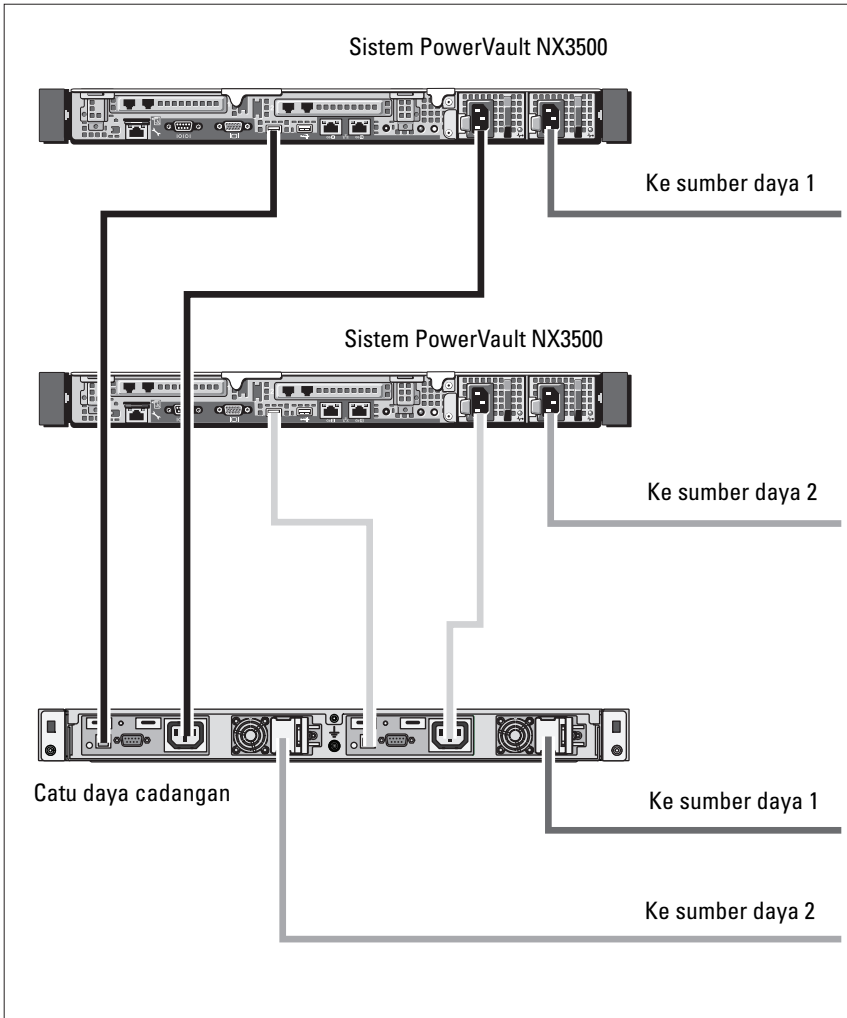
## Memasukkan Modul Daya



Masukkan modul daya ke dalam tempat modul sasis dengan panel belakang menghadap ke bagian belakang sasis.

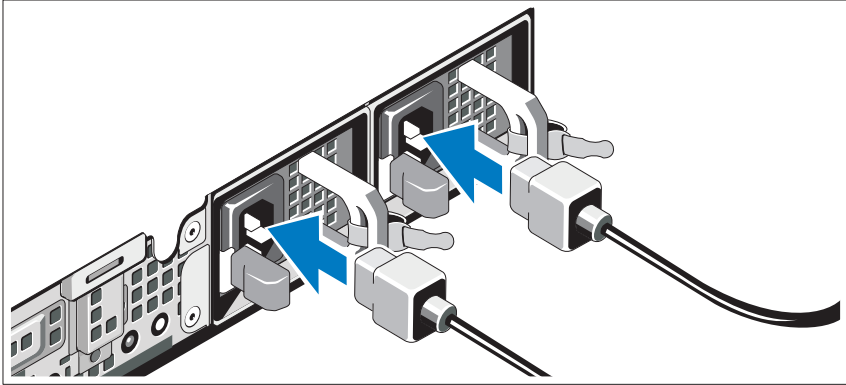


## Pemasangan Kabel Perangkat Solusi



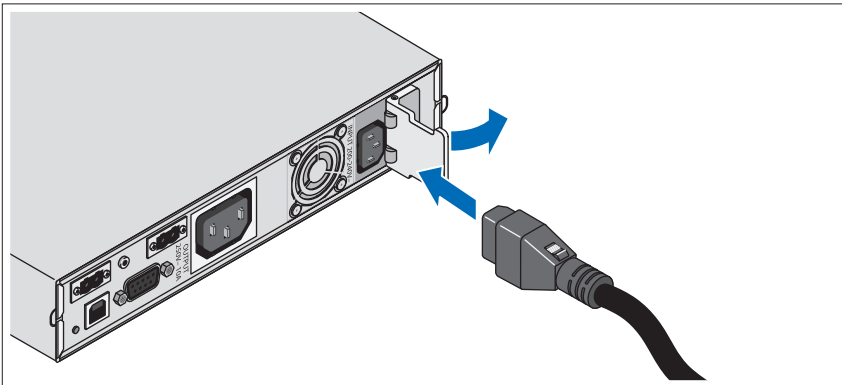
Pasang kabel perangkat solusi seperti yang ditunjukkan pada gambar.

## Menyambungkan Kabel Daya



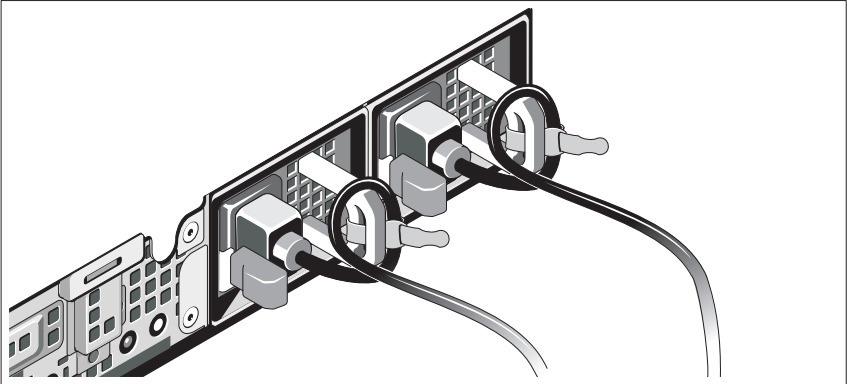
Sambungkan kabel daya sistem ke sistem.

- △ **PERHATIAN:** Baik modul daya 120 V (LV) dan 230 V (HV) menyediakan outlet output IEC 320 C-13. Hanya gunakan kabel daya yang dirancang untuk nilai sumber daya input berlabel di sebelah konektor input pada panel belakang modul daya.
- △ **PERHATIAN:** Anda harus selalu memastikan nilai tegangan BPS. Menyambungkan BPS 230 Vac ke 120 V akan merusak BPS.

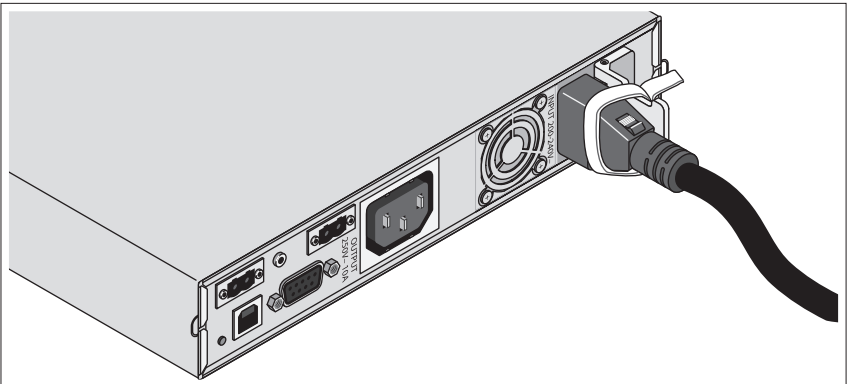


Buka pelindung sistem interlock spring-loaded untuk konektor input dan sambungkan kabel daya ke BPS.

## Menahan Kabel Daya

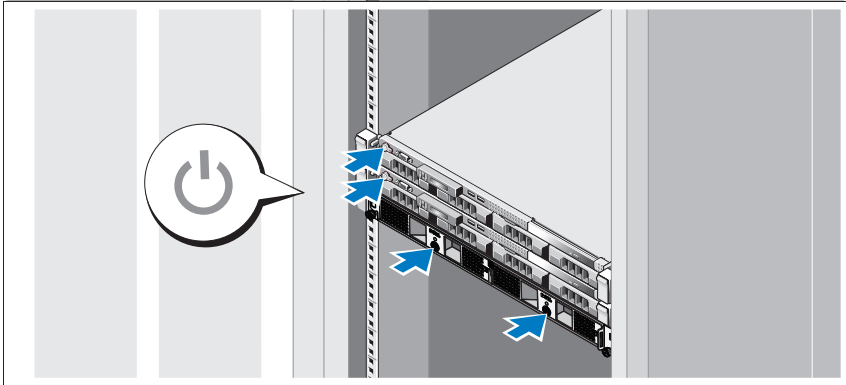


Tekuk kabel daya sistem hingga melingkar seperti terlihat pada gambar dan tahan kabel pada braket menggunakan pengikat yang disediakan. Tancapkan ujung lainnya dari kabel daya tersebut ke outlet listrik yang telah terhubung ke ground dan ujung lainnya ke BPS. Untuk informasi lebih lanjut, lihat "Pemasangan Kabel Perangkat Solusi" di halaman 47.



Tahan kabel daya yang terhubung ke BPS seperti yang ditampilkan dalam gambar.

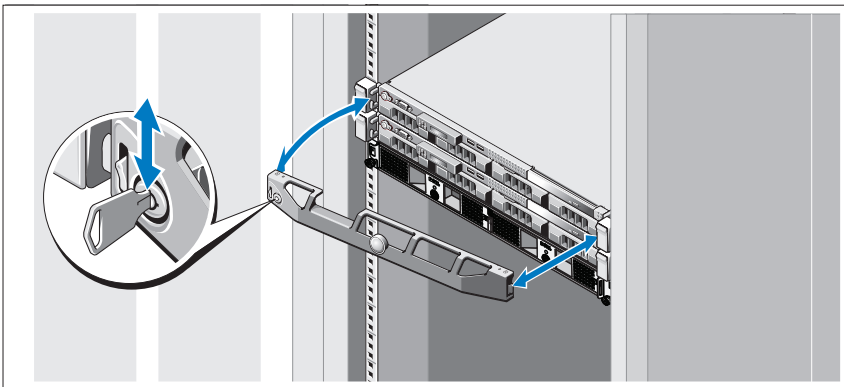
## Mengaktifkan Perangkat Solusi



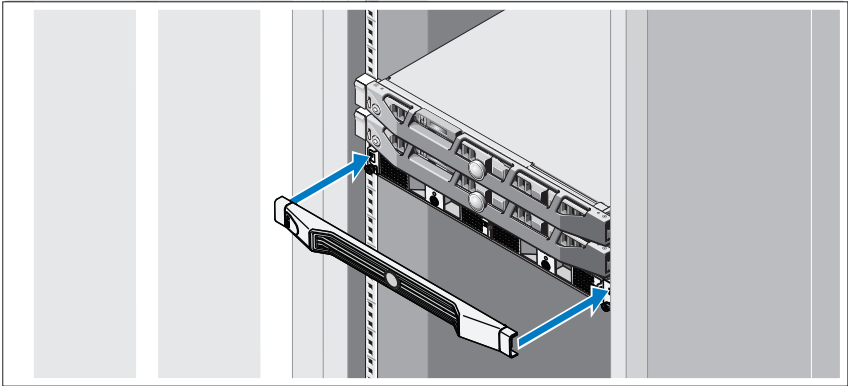
Aktifkan komponen-komponen dengan urutan berikut:

- 1 BPS
- 2 Sistem PowerVault NX3500

## Memasang Bingkai Opsional



Pasang bezel untuk sistem (opsional).



Pasang bezel untuk BPS (opsional).

## Informasi Lain yang Mungkin Anda Perlukan



**PERINGATAN:** Lihat informasi keselamatan dan peraturan yang dikirimkan bersama dengan sistem Anda. Informasi garansi mungkin disertakan dalam dokumen ini atau sebagai dokumen yang terpisah.

- Dokumentasi rak yang disertakan dengan solusi rak Anda menjelaskan cara memasang sistem ke dalam rak.
- Petunjuk lengan pengatur kabel yang tersedia dengan rak perangkat solusi Anda mendeskripsikan cara memasang lengan pengatur kabel pada rak.
- *Manual Perangkat Keras untuk Pemilik* menyediakan informasi mengenai fitur sistem dan menjelaskan bagaimana cara penelusuran kesalahan sistem dan pemasangan atau penggantian komponen. Dokumen ini tersedia secara online di [support.dell.com/manuals](http://support.dell.com/manuals).
- Semua media yang dikirimkan dengan sistem yang berisi dokumentasi dan alat untuk mengonfigurasi dan mengelola sistem Anda, termasuk yang berhubungan dengan sistem pengoperasian, perangkat lunak manajemen sistem, pembaruan sistem, dan komponen sistem yang dibeli bersama dengan sistem Anda.



**CATATAN:** Selalu periksa update di situs [support.dell.com/manuals](http://support.dell.com/manuals) dan baca update terlebih dahulu karena biasanya update tersebut menggantikan informasi dalam dokumen.

## Mendapatkan Bantuan Teknis

Jika Anda tidak memahami prosedur dalam panduan ini atau jika sistem tidak beroperasi sesuai yang diharapkan, lihat *Manual Perangkat Keras untuk Pemilik*. Dell menyediakan pelatihan dan sertifikasi perangkat keras secara menyeluruh. Lihat [dell.com/training](http://dell.com/training) untuk informasi lebih lanjut. Layanan ini mungkin tidak tersedia di semua lokasi.

## Informasi NOM (Hanya Meksiko)

Informasi berikut tersedia pada perangkat yang diuraikan dalam dokumen ini untuk memenuhi persyaratan standar resmi Meksiko (NOM):

Importir: Dell Inc. de México, S.A. de C.V.  
Paseo de la Reforma 2620 -11º Piso  
Col. Lomas Altas  
11950 México, D.F.

| Nomor Model | Tegangan suplai | Frekuensi | Konsumsi Arus |
|-------------|-----------------|-----------|---------------|
| E07S        | 100–240 V CA    | 50/60 Hz  | 5,2–2,6 A     |
| DELL500WLV  | 100–140 V CA    | 50/60 Hz  | 15 A          |
| DELL500WHV  | 200–250 V CA    | 50/60 Hz  | 10 A          |

## Spesifikasi Teknis

### Spesifikasi Sistem PowerVault NX3500

| Prosesor      |  |
|---------------|--|
| Tipe prosesor | Prosesor Intel Xeon seri 3400  |
| Bus Ekspansi  |  |
| Tipe bus      | PCI Express Generasi 2   |
| Slot ekspansi | Satu slot panjang setengah x16<br>Satu slot panjang setengah x8<br><b>CATATAN:</b> Kedua slot mendukung perutean x8. |

| <b>Memori</b>          |   |
|------------------------|---|
| Arsitektur             | paritas terdaftar 1333-MHz dan modul memori DDR-III tidak terdaftar                   |
| Soket modul memori     | Enam 240 pin  |
| Kapasitas modul memori | 2 GB  |
| RAM maksimum           | 12 GB   |
| <b>Drive</b>           |   |
| Hard drive             | Dua drive SATA 3,5" yang dapat dilepas/diganti tanpa mematikan sistem (hot-swappable) |
| Drive optis            | Satu slimline internal SATA DVD-ROM<br><b>CATATAN:</b> Perangkat DVD hanya data.      |
| <b>Konektor</b>        |   |
| <b>Belakang</b>        |   |
| NIC                    | Dua RJ-45 (untuk NIC terpadu 1-GB)  |
| Serial                 | 9 pin, DTE, kompatibel dengan 16550   |
| USB                    | Dua konektor 4 pin untuk USB 2.0  |
| Video                  | VGA 15 pin  |
| <b>Depan</b>           |   |
| Video                  | VGA 15 pin  |
| USB                    | Dua konektor 4 pin untuk USB 2.0  |
| <b>Internal</b>        |   |
| USB                    | Dua konektor 4 pin untuk USB 2.0  |
| <b>Video</b>           |   |
| Tipe video             | Matrox G200, terintegrasi pada BMC  |
| Memori video           | Memori grafis 8 MB  |

---

**Daya**

---

## Catu daya AC (per catu daya)

|                        |  |
|------------------------|--|
| Watt Daya              | 400 W  |
| Tegangan               | 100–240 VAC, 50/60 Hz  |
| Pelepasan panas        | Maksimum 1666 BTU/jam  |
| Lonjakan arus maksimum | Pada kondisi jaringan listrik tipikal dan di seluruh kisaran pengoperasian sekitar sistem, lonjakan arus dapat mencapai 25 A per catu daya selama 10 ms atau kurang. |

## Baterai

|                |                                |
|----------------|--------------------------------|
| Baterai sistem | Sel koin lithium CR 2032 3,0 V |
|----------------|--------------------------------|

---

**Fisik**

---

|                              |                       |
|------------------------------|-----------------------|
| Tinggi                       | 4,29 cm (1,69 inci)   |
| Lebar                        | 43,4 cm (17,09 inci)  |
| Panjang                      | 61,26 cm (24,12 inci) |
| Berat (konfigurasi maksimum) | 15 kg (33,02 pon)     |
| Berat (konfigurasi kosong)   | 5,96 kg (13,12 pon)   |

---

**Lingkungan**

---

**CATATAN:** Untuk informasi tambahan mengenai pengukuran lingkungan untuk konfigurasi sistem spesifik, lihat [dell.com/environmental\\_datasheets](http://dell.com/environmental_datasheets).

## Suhu

|               |  |
|---------------|--|
| Pengoperasian | 10 °C sampai 35 °C (50 °F sampai 95 °F) dengan gradasi suhu maksimum 10°C per jam<br><b>CATATAN:</b> Untuk ketinggian di atas 2.950 kaki, suhu pengoperasian maksimum menurun 1 °F/550 kaki. |
| Penyimpanan   | –40° sampai 65 °C (–40 °F hingga 149 °F) dengan gradasi suhu maksimum sebesar 20 °C per jam  |



---

**Lingkungan (dilanjutkan)**

---

## Kelembapan relatif

Pengoperasian 8 % hingga 85 % (nonkondensasi) dengan gradasi kelembapan maksimum dari 10 % per jam

Penyimpanan 5 % hingga 95 % (nonkondensasi)

## Getaran maksimum

Pengoperasian 0,25 G pada 3–200 Hz selama 15 menit

Penyimpanan 0,5 G pada 3–200 Hz selama 15 menit

## Guncangan maksimum

Pengoperasian Satu pulsasi guncangan pada sumbu z positif (satu pulsasi pada setiap sisi sistem) dari 31 G untuk 2,6 ms dalam arah pengoperasian

Penyimpanan Enam pulsasi guncangan yang dilakukan berurutan pada sumbu x, y, dan z positif dan negatif (satu pulsasi di setiap sistem) sebesar 71 G selama hingga 2 ms

## Ketinggian

Pengoperasian –16 hingga 3.048 m (–50 hingga 10.000 kaki)  
**CATATAN:** Pada ketinggian di atas 2.950 kaki, suhu pengoperasian maksimum berkurang 1 °F/550 kaki.

Penyimpanan –16 hingga 10.600 m (–50 hingga 35.000 kaki)

## Tingkat Pencemaran Udara

Kelas G1 sebagaimana didefinisikan oleh ISA-S71.04-1985

**Spesifikasi Catu Daya Cadangan**

---

**Daftar Model BPS**

---

Model 120 V Dell BPS 500 W (LV)

Model 230 V Dell BPS 500 W (HV)

---

**Fisik (Model 120 V dan 230 V)**

---

|                                    |  |
|------------------------------------|--|
| Dimensi (Lebar x Tinggi x Panjang) | 434 mm x 42 mm x 723 mm (1,4 in x 0,1 in x 2,4 in)<br><b>CATATAN:</b> Panjang bezel 33 mm (0,1 in) tidak disertakan. |
| Ukuran Unit Rak                    | 1 U  |
| Berat                              | 30,0 kg (66,1 pon)   |

---

**Input Listrik**

---

|                          |   |
|--------------------------|---|
| Tegangan Nominal         |   |
| Model 120 V              | 120 V                                     |
| Model 230 V              | 230 V                                     |
| Rentang Tegangan Nominal |   |
| Model 120 V              | 90–140 V                                  |
| Model 230 V              | 180–264 V                                 |
| Frekuensi Nominal        |   |
| Model 120 V dan 230 V    | 50/60 Hz auto-sensing, $\pm 3$ Hz         |
| Efisiensi (Mode Normal)  |   |
| Model 120 V dan 230 V    | > 96 %                                    |
| Noise Filtering          |   |
| Model 120 V dan 230 V    | Filtering EMI/RFI Penuh                   |
| Koneksi                  |   |
| Model 120 V dan 230 V    | IEC 320-C14, 15 A untuk UL/CSA, atau 10 A |

---

**Output Listrik**

---

|  |           |
|--|-----------|
| Level Daya (Ditentukan pada Input Nominal) |           |
| Model 120 V dan 230 V                      | 500 W     |
| Peraturan (Mode normal)                    |           |
| Model 120 V                                | 88–140 V  |
| Model 230 V                                | 176–264 V |

---

**Output Listrik (*dilanjutkan*)**

---

Peraturan (Mode Baterai), Tegangan Nominal  $\pm 5\%$

Model 120 V 100–140 V

Model 230 V 200–250 V

Bentuk Gelombang Tegangan

Model 120 V dan 230 V Gelombang Sinus

Outlet Output

Model 120 V dan 230 V IEC 320-C13, 15 A untuk UL/CSA, atau 10 A

---

**Lingkungan dan Keselamatan**

---

Suhu Pengoperasian

Model 120 V dan 230 V 0 °C hingga 40 °C (32 °F hingga 104 °F)

Suhu Pengiriman/Penyimpanan

Model 120 V dan 230 V Pengiriman: -15 °C hingga 60 °C (5 °F hingga 140 °F)

Penyimpanan: -15 °C hingga 45 °C (5 °F hingga 113 °F)

Kelembapan Relatif

Model 120 V dan 230 V 0–95 % nonkondensasi

Ketinggian Pengoperasian

Model 120 V dan 230 V Mencapai 3,048 m (0–10,000 kaki) di atas permukaan laut

Gangguan Suara

Model 120 V dan 230 V Kurang dari 50 dBA tipikal

Penahanan Lonjakan

Model 120 V dan 230 V ANSI/IEEE C62.41; 1991 Kategori B3

Kepatuhan Keselamatan

Model 120 V UL 1778 4th Edisi; CSA C22.2, No. 107.3

Model 230 V UL 1778 4th Edisi; CSA C22.2, No. 107.3;  
IEC/EN 62040-1-1; IEC/EN 60950-1

---

**Lingkungan dan Keselamatan *(dilanjutkan)***

---

## Penandaan Keselamatan

|               |   |
|---------------|---|
| Model 120 V   | UL, cUL, NOM, BSMI  |
| Model 230 V   | GS, CE, GOST, NRCS, TISI, KC, CQC, BSMI, UL, cUL, KUALITET, KONCAR, OTAN, UKSERT, Uzbekistan GOST |
| EMC (Kelas B) |   |
| Model 120 V   | FCC Bagian 15, CNS13438, KN22: 2005, VCCI   |
| Model 230 V   | FCC Bagian 15, CNS13438, AS/NZS 62040.2, KN22: 2005, GB7260.2, EN62040-2, CISPR 22: 2006          |

---

**Baterai (Model 120 V dan 230 V)**

---

|              |  |
|--------------|--|
| Konfigurasi  | 500 W: (4) 6 V, baterai internal 9.0 Ah  |
| Tipe Baterai | 9,0 Ah   |
| Tegangan     | 500 W: Vdc internal 24   |
| Sekering     | BPS: (2) sekering 40 A   |
| Tipe         | Tersegel, bebas pemeliharaan, katup teregulasi, baterai kering   |
| Mengisi      | Kurang lebih 8 jam untuk 90 % dari 50 % pelepasan beban yang ditentukan (kapasitas yang dapat digunakan pada jalur nominal dan beban suplai daya tambahan) |
| Pemantauan   | Pemantauan tingkat lanjut untuk deteksi kegagalan sebelumnya dan peringatan  |

# Dell PowerVault NX3500

システム

はじめに

規制モデル：E07S シリーズ、  
DELL500WL、および DELL500WHV



## メモ、注意、警告、および危険



**メモ**：コンピュータを使いやすくするための重要な情報を説明しています。



**注意**：手順に従わない場合は、ハードウェアの損傷やデータの損失の可能性があることを示しています。



**警告**：物的損害、けが、または死亡の原因となる可能性があることを示しています。



**危険**：回避しなければ死亡または重傷につながる危険な状況を示しています。

---

本書の内容は予告なく変更されることがあります。

© 2011 Dell Inc.; Eaton Corporation. All rights reserved.

Dell Inc. および Eaton Corporation の書面による許可のない複製は、いかなる形態においても厳重に禁じられています。

本書に使用されている商標：Dell™、DELL のロゴ、および PowerVault™ は Dell Inc. の商標です。Intel® および Xeon® は米国およびその他の国における Intel Corporation の登録商標です。

本書では、上記記載以外の商標および会社名が使用されている場合があります。それらの商標や会社名は、一切 Dell Inc. に帰属するものではありません。

規制モデル：E07S シリーズ、DELL500WLV、および DELL500WHV

2011 年 1 月 P/N PT6XC Rev. A00

## 取り付けと設定

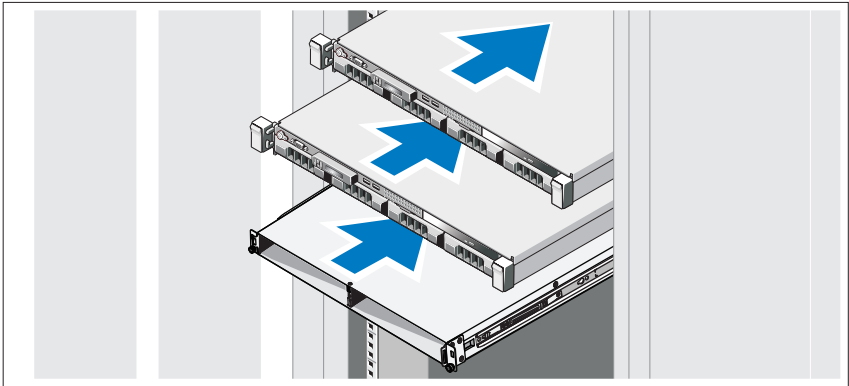
**⚠ 危険：**回避しなければ死亡または重傷につながる危険な状況の防止に役立つため、次の指示に従ってください。バックアップ電源装置には致死電圧が蓄電されています。修理およびサービスのすべては、正規サービス技術者のみが行うようにしてください。バックアップ電源装置内部には、お客様ご自身で修理できる部品はありません。

**⚠ 警告：**次の手順を実行する前に、システムに付属しているマニュアルの「安全にお使いいただくために」をお読みください。

### ソリューションの開梱

ソリューションを開梱し、すべてのアイテムが揃っていることを確認します。

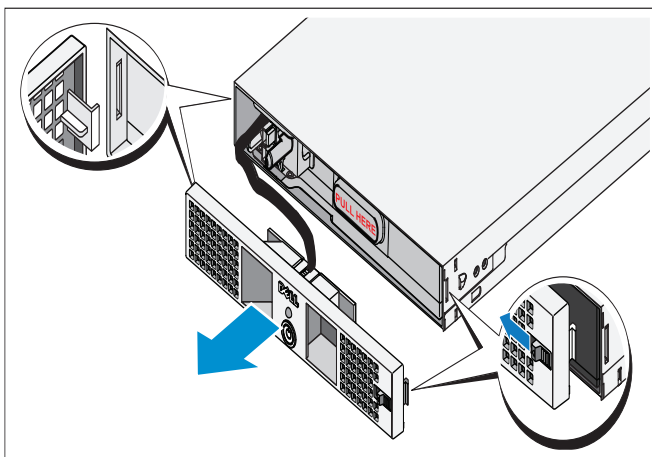
### レール、システムおよびバックアップ電源装置のラックへの取り付け



レールを組み立て、システムとバックアップ電源装置（BPS）をラックに取り付けます。ソリューションに付属しているマニュアルの安全にお使いいただくための注意事項、およびラック取り付け手順に従ってください。

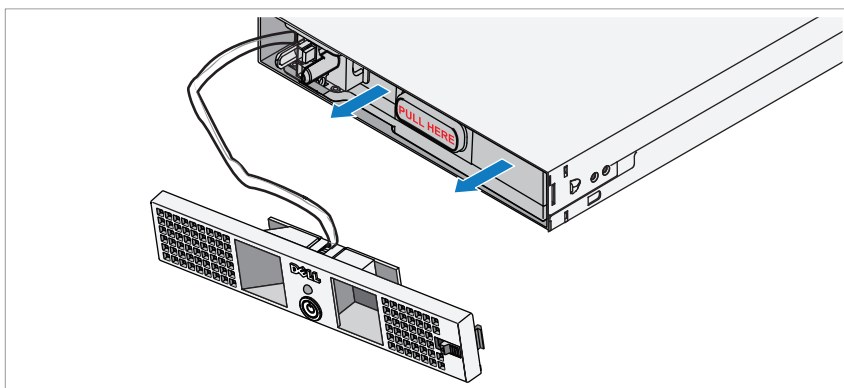
## BPS 電源モジュールへのバッテリーの接続

### 電源モジュール前面カバーの取り外し



前面カバーの右側にあるラッチを左にスライドさせてラッチフックを引き込みます。このフックは前面カバーをシャーシの右側に固定しています。前面カバーの右側をシャーシから引き離します。前面カバーを右側へスライドさせてフックを外します。このフックは前面カバーをシャーシの左側に固定しています。

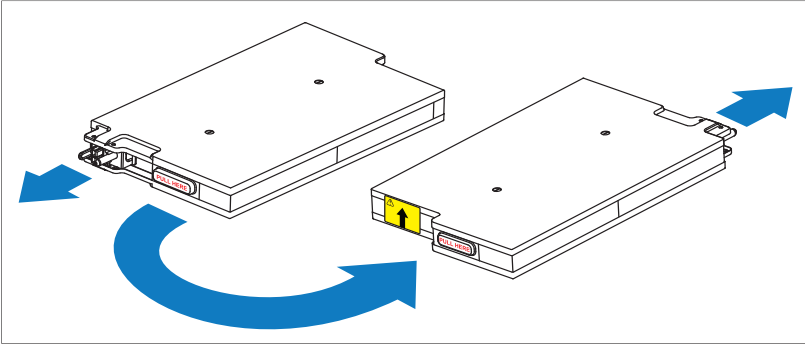
### バッテリーの取り外し




電源モジュールからバッテリーを引き出します。



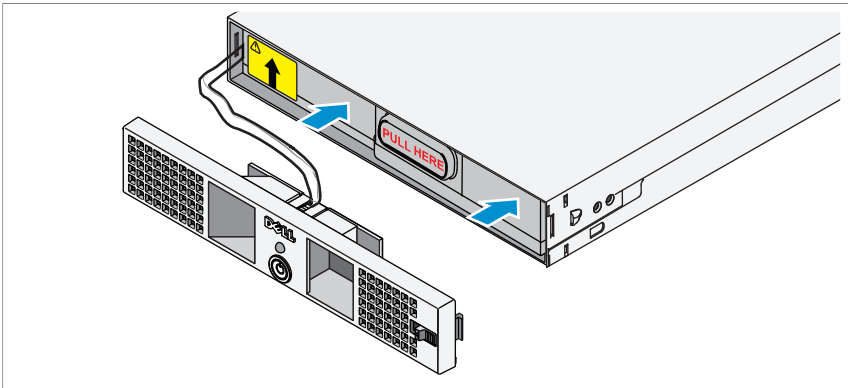
## バッテリーの回転




ブラインドメイトコネクタが電源モジュールシャーシの後方に向くようにバッテリーを 180° 回転させます。


 **メモ**：黄色いラベルの矢印が上を指していることを確認してください。

## バッテリーの再挿入

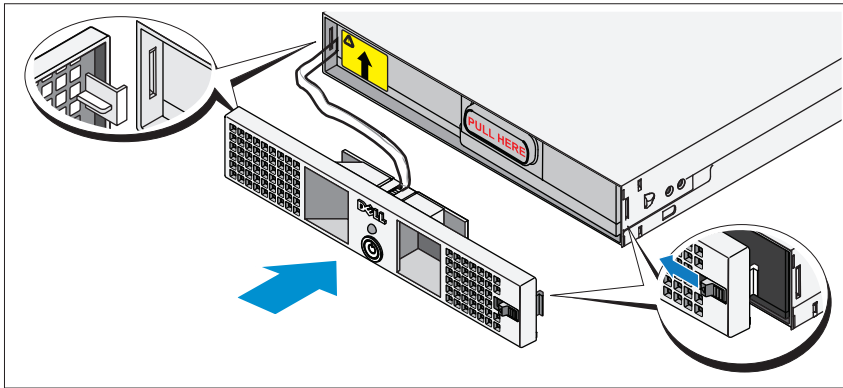




バッテリーを電源装置に揃え、再挿入します。バッテリーが電源モジュールに完全に装着されていることを確認します。バッテリーが電源モジュールに完全に装着されていない場合、バッテリーの前面カバーが正しく閉じません。

 **メモ**：バッテリーパックは、常に電源ケーブルを接続する前に接続してください。

-  **メモ：**ブラインドメイトコネクタが電源モジュールの背面にあるコンセントに接続されるのは見えませんが、バッテリーパックの接続時に少量のアーク放電が発生する場合があります。これは正常で、装置を損傷したり安全性を損なうこともありません。

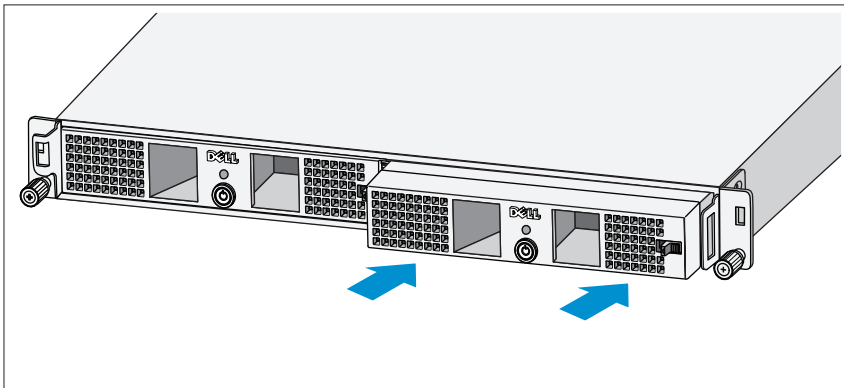
## 電源モジュール前面カバーの固定



-  **警告：**安全のため、バッテリーパックが挿入および接続されたらすぐに電源装置の前面カバーを取り付けます。
-  **警告：**前面カバーを電源モジュールに固定する前に、前面カバーの位置を慎重に揃えてください。安全のため、電源モジュール前面カバーがバッテリーパックに触れないようにしてください。

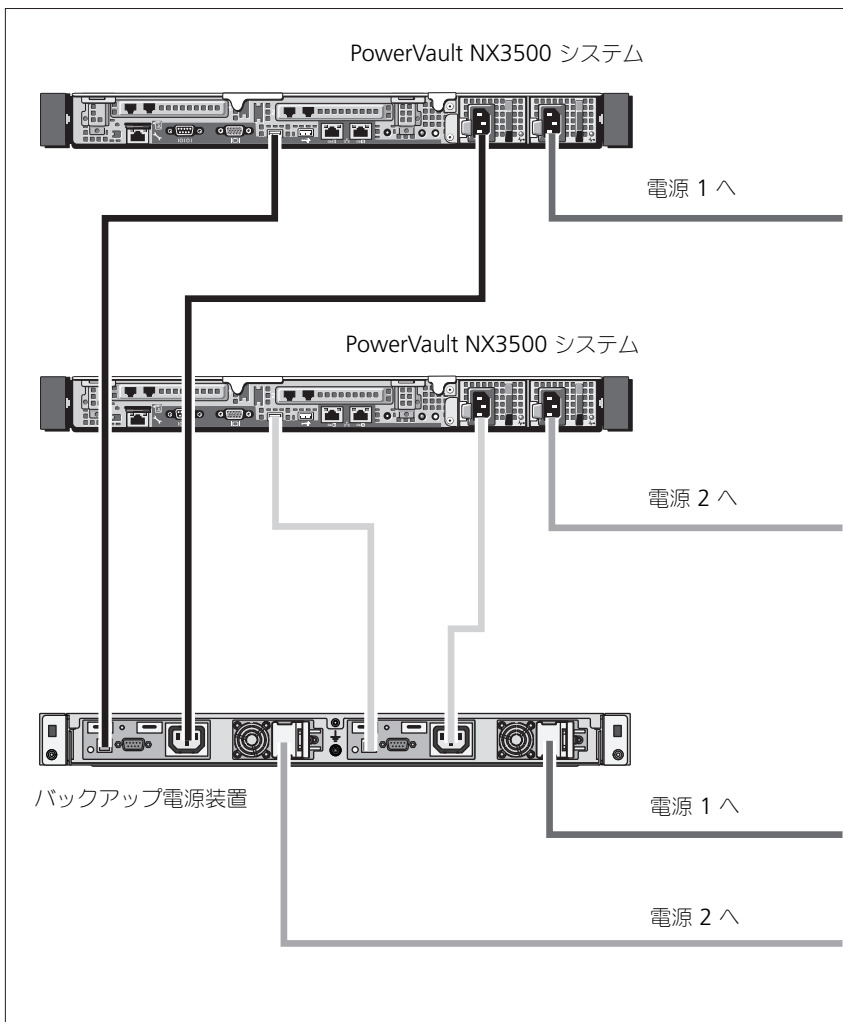
最初の前面カバーの左側にあるフックを、シャーシ左側のオープンスロットに差し込みます。前面カバーの右側にあるラッチを左にスライドさせてラッチフックを引き込みます。前面カバーの右側をシャーシに向かって前方に押します。ラッチを離し、シャーシ右側のオープンスロットにフックをはめ込みます。

## 電源モジュールの挿入



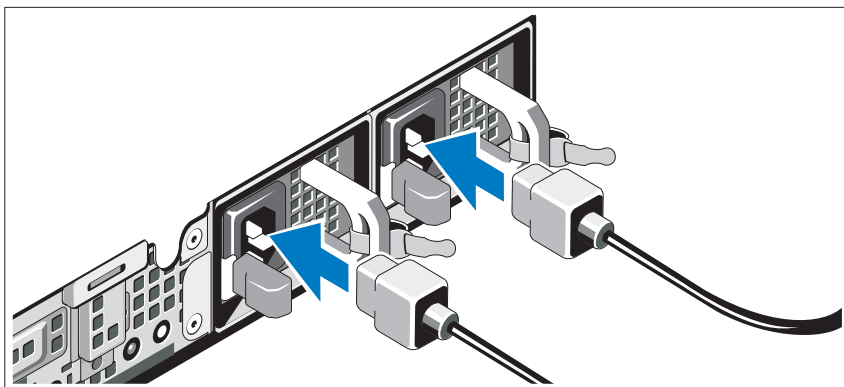
電源モジュールの背面パネルをシャーシの背面に向けて、シャーシモジュールベイへ挿入します。

## ソリューションの配線



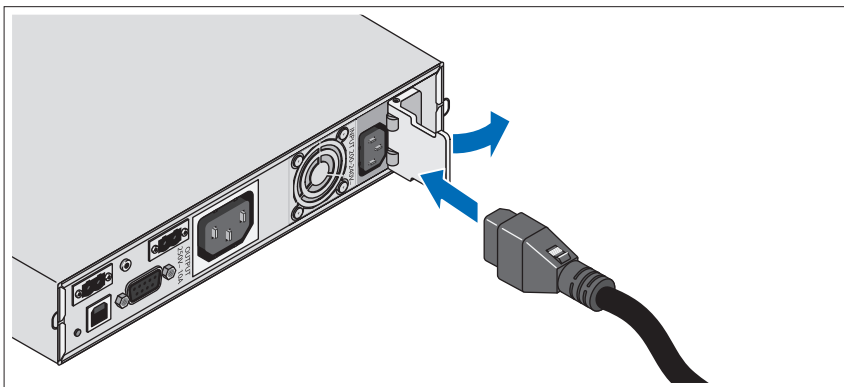
ソリューションの配線は図のように行います。

## 電源ケーブルの接続



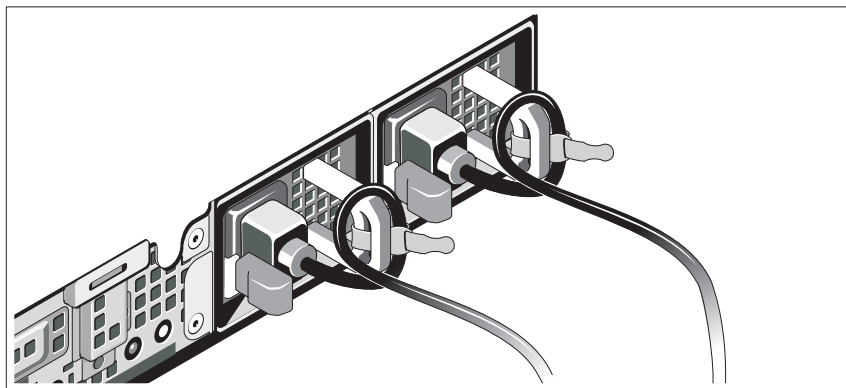
システムに電源コードを接続します。

- △ **注意：120 V (LV) および 230 V (HV) 電源モジュールはいずれも、IEC 320 C-13 出力コンセントを提供します。電源モジュール背面パネルの入力コネクタ横にあるラベルに記載された、定格入力電源用に指定されている電源コードのみを使用してください。**
- △ **注意：BPS の定格電圧は常に確認する必要があります。230 Vac を 120 V BPS に接続すると、BPS が損傷します。**

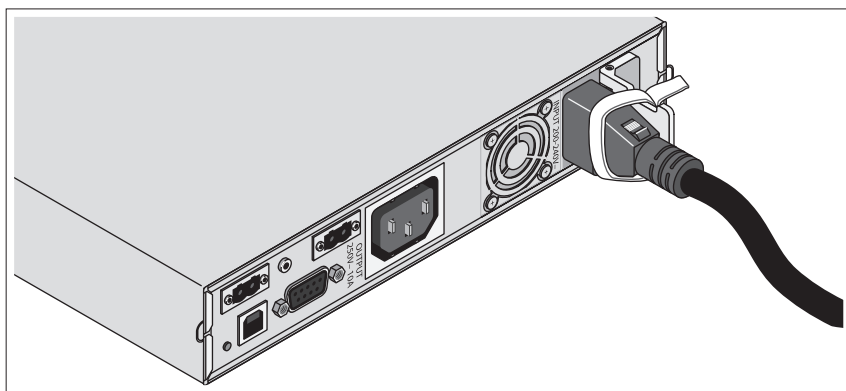


入力コネクタのパネ付きインターロックカバーを開き、電源ケーブルを BPS に接続します。

## 電源ケーブルの固定

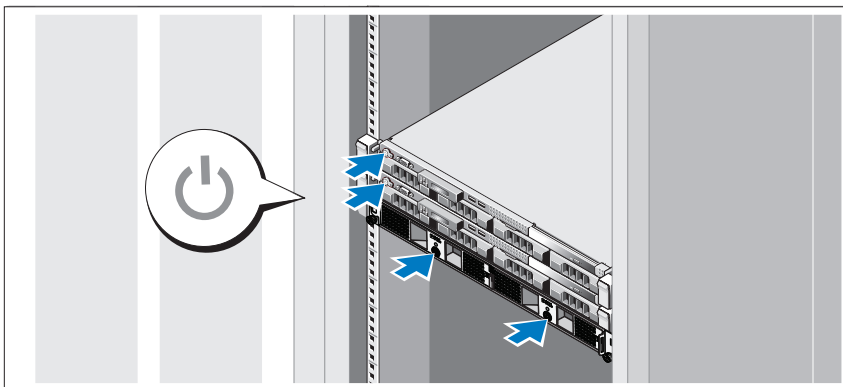


システムの電源ケーブルをループ状に曲げ（図を参照）、付属のストラップでケーブルをブラケットに固定します。ひとつの電源ケーブルの反対側をアースされた電源コンセントに接続し、もうひとつのケーブルを BPS に接続します。詳細については、66 ページの「ソリューションの配線」を参照してください。



BPS に接続した電源ケーブルを、図のように固定します。

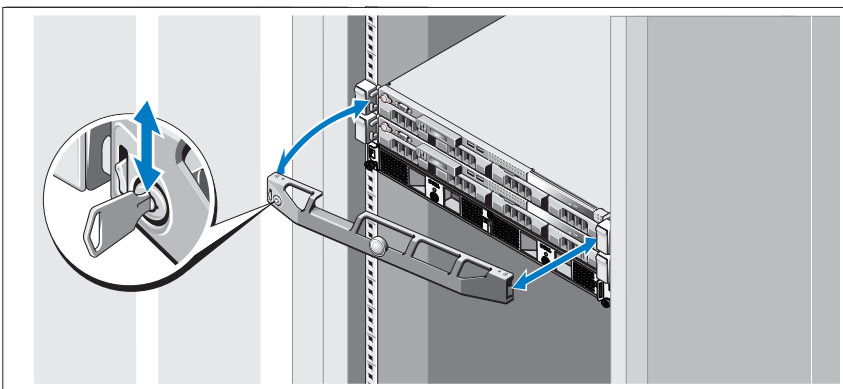
## ソリューションの電源を入れる



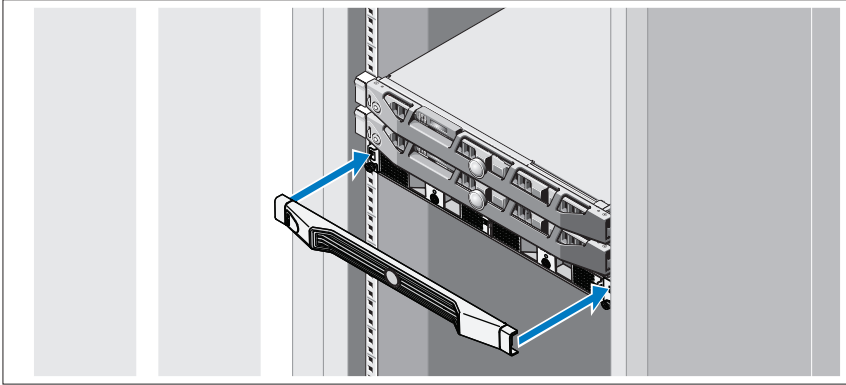
次の順序でコンポーネントに電源を入れます。

- 1 BPS
- 2 PowerVault NX3500 システム

## ベゼルの取り付け (オプション)



システムにベゼルを取り付けます (オプション)。



BPS にベゼルを取り付けます（オプション）。

## その他の情報

**⚠ 警告：**システムに付属のマニュアルで安全および認可に関する情報を参照してください。保証に関する情報は、このマニュアルに含まれている場合と、別の文書として付属されている場合があります。

- ラックソリューションに付属のマニュアルでは、システムをラックに取り付ける方法について説明しています。
- ラックソリューションに付属のケーブル管理アーム手順は、ケーブル管理アームのラックへの取り付け方法を説明します。
- 『ハードウェアオーナーズマニュアル』では、システムの機能、トラブルシューティングの方法、およびコンポーネントの取り付け方や交換方法について説明しています。この文書は [support.jp.dell.com/manuals](https://support.jp.dell.com/manuals) からオンラインで入手できます。
- システムに付属のメディアには、オペレーティングシステム、システム管理ソフトウェア、システムアップデート、およびシステムと同時に購入したシステムコンポーネントに関するものを含め、システムの設定と管理用のマニュアルとツールが収録されています。

**📎 メモ：**アップデートには他の文書の内容を差し替える情報が含まれている場合がよくありますので、[support.jp.dell.com/manuals](https://support.jp.dell.com/manuals) でアップデートがないかどうかを常に確認し、初めにお読みください。



## テクニカルサポートの利用法

本書の手順が理解できない場合やシステムが思ったとおりに動作しない場合は、『ハードウェアオーナーズマニュアル』を参照してください。デルでは広範囲にわたるハードウェアのトレーニングと資格認証を実施しています。詳細については、[dell.com/training](http://dell.com/training) を参照してください。このサービスが提供されていない地域もあります。

## NOM 情報（メキシコのみ）

以下は、メキシコの公式規格（NOM）の仕様に準拠する、本書で取り上げている装置に関する情報です。

輸入者： Dell Inc. de México, S.A. de C.V.  
Paseo de la Reforma 2620 -11º Piso  
Col. Lomas Altas  
11950 México, D.F.

| モデル番号      | 供給電圧           | 周波数      | 消費電流      |
|------------|----------------|----------|-----------|
| E07S       | 100 ~ 240 V CA | 50/60 Hz | 5.2-2.6 A |
| DELL500WLV | 100 ~ 140 V CA | 50/60 Hz | 15 A      |
| DELL500WHV | 200 ~ 250 V CA | 50/60 Hz | 10 A      |

## 仕様

### PowerVault NX3500 システム仕様

#### プロセッサ

プロセッサのタイプ Intel Xeon プロセッサ 3400 シリーズ

#### 拡張バス

バスのタイプ PCI Express Generation 2

拡張スロット x16 ハーフレンクススロット 1 個

x8 ハーフレンクススロット 1 個

**メモ：**どちらのスロットも x8 経路指定をサポートしています。

---

## メモリ

---

|              |   |
|--------------|---|
| アーキテクチャ      | 1333 MHz のレジスタパリティおよび非レジスタ DDR-III メモリモジュール |
| メモリモジュールソケット | 240 ピンソケット 6 個                              |
| メモリモジュールの容量  | 2 GB  |
| 最大 RAM       | 12 GB                                       |

---

## ドライブ

---

|             |   |
|-------------|---|
| ハードディスクドライブ | 3.5 インチホットスワップ可能 SATA ドライブ 2 台                            |
| 光学ドライブ      | 内蔵スリムライン SATA DVD-ROM 1 台<br><b>メモ</b> ：DVD デバイスはデータ専用です。 |

---

## コネクタ

---

### 背面

|      |                           |
|------|---------------------------|
| NIC  | RJ-45 (内蔵 1 GB NIC 用) 2 個 |
| シリアル | 16550 互換 9 ピン DTE         |
| USB  | 4 ピン USB 2.0 対応コネクタ 2 個   |
| ビデオ  | 15 ピン VGA                 |

### 前面

|     |                         |
|-----|-------------------------|
| ビデオ | 15 ピン VGA               |
| USB | 4 ピン USB 2.0 対応コネクタ 2 個 |

### 内蔵

|     |                         |
|-----|-------------------------|
| USB | 4 ピン USB 2.0 対応コネクタ 2 個 |
|-----|-------------------------|

---

## ビデオ

---

|         |                       |
|---------|-----------------------|
| ビデオのタイプ | Matrox G200 (BMC に内蔵) |
| ビデオメモリ  | 8 MB グラフィックスメモリ       |

---

---

## 電源

---

### AC 電源装置（各電源装置につき）

|        |  |
|--------|--|
| ワット数   | 400 W  |
| 電圧     | AC 100 ~ 240 V、50/60 Hz  |
| 熱消費    | 1666 BTU/hr 最大   |
| 最大流入電流 | 通常のラインコンディションのもと、システムの動作環境全範囲で、電源装置 1 台につき 10 ミリ秒以下で 25 A の入電量を許容できます。 |

### バッテリー

|           |                             |
|-----------|-----------------------------|
| システムバッテリー | 3.0 V コイン型リチウムバッテリー CR 2032 |
|-----------|-----------------------------|

---

## サイズと重量

---

|          |          |
|----------|----------|
| 縦幅       | 4.29 cm  |
| 横幅       | 43.4 cm  |
| 奥行き      | 61.26 cm |
| 重量（最大構成） | 15 kg    |
| 重量（空の構成） | 5.96 kg  |

---

## 環境

---

**メモ：**特定のシステム構成でのその他の環境条件の詳細については、[dell.com/environmental\\_datasheets](https://www.dell.com/environmental_datasheets) を参照してください。

### 温度

|      |  |
|------|--|
| 動作時  | 1 時間当たり最大 10 °C の温度変化で 10 ~ 35 °C<br><b>メモ：</b> 高度が 2950 フィートを超えると、動作時の許容最大温度は、550 フィーとごとに 1 °F ずつ低下します。 |
| 保管時  | 1 時間当たり最大 20 °C の温度変化で -40 ~ 65 °C   |
| 相対湿度 |  |
| 動作時  | 1 時間当たり最大 10 % の湿度変化で 8 ~ 85 %<br>(結露しないこと)  |
| 保管時  | 5 ~ 95 % (結露しないこと)   |
| 最大振動 |  |
| 動作時  | 15 分間にわたり 3-200 Hz で 0.25 G  |
| 保管時  | 15 分間にわたり 3-200 Hz で 0.5 G   |

---

## 環境（続き）

---

### 最大衝撃

動作時 z 軸の正方向に 2.6 ミリ秒で 31 G の 1 衝撃パルス  
(システムの各面に対して 1 パルス)

保管時 x、y、z 軸の正および負方向に 6 連続衝撃パルス  
(システムの各面に対して 1 パルス)、2 ミリ秒以下  
で 71 G

### 高度

動作時 -16 ~ 3,048 m  
**メモ**：高度が 2950 フィートを超えると、動作時の  
許容最大温度は、550 フィートごとに 1 °F ずつ低  
下します。

保管時 -16 ~ 10,600 m

### 空気汚染物質レベル

クラス G1 (ISA-S71.04-1985 の定義による)

## バックアップ電源装置仕様

---

### BPS モデルリスト

---

120 V モデル Dell BPS 500 W (LV)

230 V モデル Dell BPS 500 W (HV)

---

### 寸法と重量 (120 V および 230 V モデル)

---

寸法 (幅 x 高さ x 奥行き) 434 mm x 42 mm x 723 mm  
**メモ**：ベゼル奥行きは 33 mm は含まれません。

ラックユニットサイズ 1 U

重量 30.0 kg

---

### 電気入力

---

#### 公称電圧

120 V モデル 120 V

230 V モデル 230 V

#### 公称電圧幅

120 V モデル 90 ~ 140 V

230 V モデル 180 ~ 264 V

---

## 電気入力

---

### 公称周波数

120 V および 230 V モデル 50/60 Hz 自動検出、± 3 Hz

### 効率（通常モード）

120 V および 230 V モデル > 96%

### 雑音除去

120 V および 230 V モデル 常時稼働 EMI/RFI フィルタ

### 接続

120 V および 230 V モデル IEC 320-C14、UL/CSA には 15 A、その他は 10 A

---

## 電気出力

---

### 電力レベル（定格入力にて）

120 V および 230 V モデル 500 W

### レギュレーション（通常モード）

120 V モデル 88 ~ 140 V

230 V モデル 176 ~ 264 V

### レギュレーション（バッテリーモード）、定格電圧 ± 5%

120 V モデル 100 ~ 140 V

230 V モデル 200 ~ 250 V

### 電圧波形

120 V および 230 V モデル 正弦波

### 出力コンセント

120 V および 230 V モデル IEC 320-C13、UL/CSA には 15 A、その他は 10 A

---

## 環境および安全性

---

### 動作温度

120 V および 230 V モデル 0 ~ 40 °C

### 運搬 / 保管温度

120 V および 230 V モデル 運搬時：-15 ~ 60 °C

保管時：-15 ~ 45 °C

### 相対湿度

120 V および 230 V モデル 0 ~ 95%（結露しない）

---

## 環境および安全性 (続き)

---

### 動作高度

120 V および 230 V モデル 最高海拔 3,048 m

### 可聴ノイズ

120 V および 230 V モデル 50 dBA 未満 (標準)

### サージ抑制

120 V および 230 V モデル ANSI/IEEE C62.41 ; 1991 カテゴリ B3

### 安全適合性

120 V モデル UL 1778 4th Edition ; CSA C22.2, No.107.3

230 V モデル UL 1778 4th Edition ; CSA C22.2, No.107.3 ; IEC/EN 62040-1-1 ; IEC/EN 60950-1

### 安全マーク

120 V モデル UL、cUL、NOM、BSMI

230 V モデル GS、CE、GOST、NRCS、TISI、KC、CQC、BSMI、UL、cUL、KVALITET、KONCAR、OTAN、UKSERT、Uzbekistan GOST

### EMC (クラス B)

120 V モデル FCC Part 15, CNS13438, KN22: 2005, VCCI

230 V モデル FCC Part 15, CNS13438, AS/NZS 62040.2, KN22: 2005, GB7260.2, EN62040-2, CISPR 22: 2006

---

## バッテリー (120 V および 230 V モデル)

---

設定 500 W : (4) 6 V、9.0 Ah 内蔵バッテリー

バッテリータイプ 9.0 Ah

電圧 500 W : 24 Vdc (内部)

ヒューズ BPS : (2) 40 A ヒューズ

タイプ 密閉型、維持管理不要、制御弁式、鉛酸

充電 定格負荷率 50% の放電状態から 90% まで約 8 時間 (公称電源における使用可能な容量、および補助電源装置負荷なし)

監視 早期障害検出および警告のための高レベル監視

# Dell PowerVault NX3500

## 시스템

# 시스템 시작 안내서

규정 모델 : E07S 시리즈,  
DELL500WLV, 및 DELL500WHV



# 주, 주의, 경고, 및 위험



**주:** "주"는 컴퓨터를 보다 효율적으로 사용하는 데 도움을 주는 중요 정보를 알려줍니다.



**주의:** "주의"는 지침을 준수하지 않을 경우 하드웨어 손상이나 데이터 손실의 위험이 있음을 알려줍니다.



**경고:** "경고"는 재산상의 피해나 심각한 부상 또는 사망을 유발할 수 있는 위험이 있음을 알려줍니다.



**위험:** "위험"은 예방하지 못할 경우 사망이나 심각한 부상을 유발할 수 있는 위험한 상황을 알려줍니다.

---

이 발행물에 수록된 정보는 사전 통보 없이 변경될 수 있습니다.

© 2011 Dell Inc.; Eaton Corporation. 저작권 본사 소유.

Dell Inc. 및 Eaton Corporation 의 서면 승인 없이 어떠한 방식으로든 본 자료를 무단 복제하는 행위는 엄격히 금지됩니다.

본 설명서에 사용된 상표: Dell™, DELL 로고, 및 PowerVault™ 는 Dell Inc. 의 상표입니다. Intel® 및 Xeon® 은 미국 및 기타 국가에서 Intel Corporation 의 등록 상표입니다.

본 발행물에서 특정 회사의 상표 및 회사 이름 또는 제품을 지칭하기 위해 기타 상표 및 상호를 사용할 수도 있습니다. Dell Inc. 는 자사가 소유하고 있는 것 이외에 기타 모든 상표 및 상호에 대한 어떠한 소유권도 없습니다.

규정 모델: E07S 시리즈, DELL500WLV, 및 DELL500WHV

2011 년 1 월      P/N PT6XC      Rev. A00



## 설치 및 구성

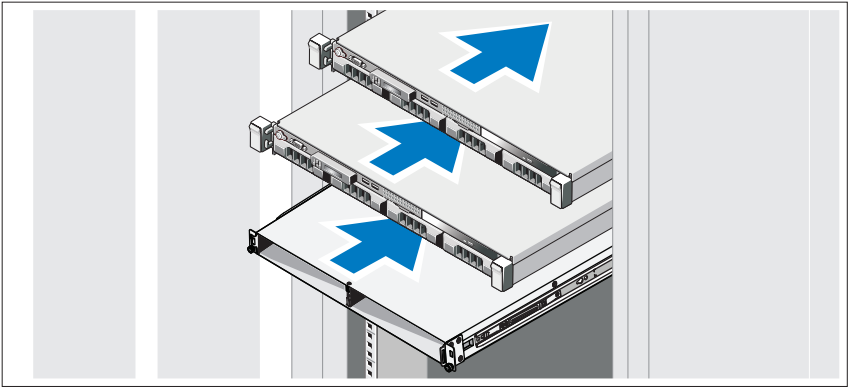
**⚠ 위험 :** 예방하지 못할 경우 사망이나 심각한 부상을 유발할 수 있는 위험한 상황 발생을 방지하는데 도움을 얻으려면 아래의 지시사항을 준수하십시오 : 백업용 전원 공급 장치에는 치명적인 전압 (LETHAL VOLTAGES) 이 포함되어 있습니다 . 모든 수리와 서비스는 인가된 서비스 직원에 의해서만 수행되어야 합니다 . 백업용 전원 공급 장치 내부에는 사용자에게 의해 서비스가 가능한 부품이 들어 있지 않습니다 .

**⚠ 경고 :** 다음 절차를 수행하기 전에 시스템과 함께 제공되는 안전 지침을 검토하십시오 .

### 솔루션 포장풀기

솔루션의 포장을 풀고 각각의 항목을 확인합니다 .

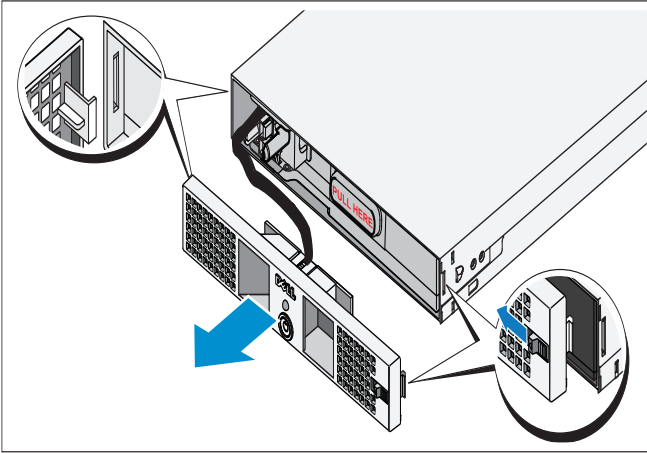
### 랙에 레일 , 시스템 , 백업용 전원 공급 장치 설치



레일을 조립하고 랙에 시스템과 백업용 전원 공급 장치 (BPS) 를 설치합니다 . 안전 지침 및 솔루션과 함께 제공된 랙 설치 지시사항을 따르십시오 .

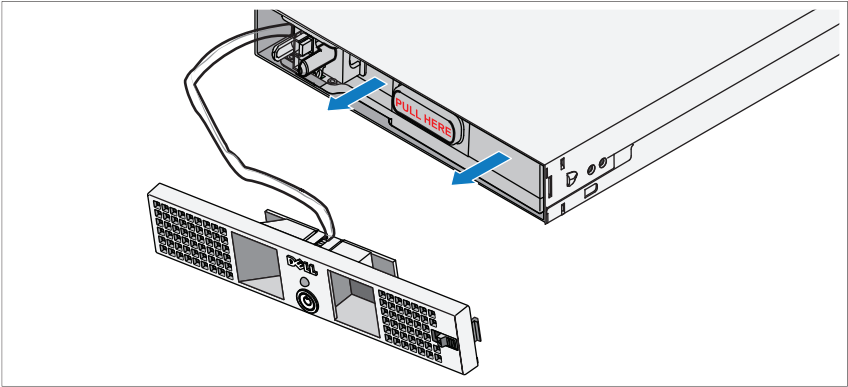
## BPS 전원 모듈에 배터리 연결

### 전원 모듈 전면 덮개 제거



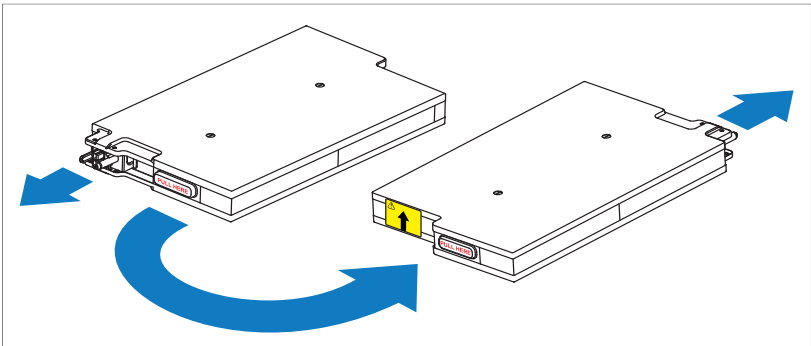
전면 덮개의 우측에서, 래치 홀이 들어가게 하려면 래치를 왼쪽으로 밀어주십시오. 이 홀은 전면 덮개를 새시의 우측에 고정합니다. 새시에서 전면 덮개의 우측 부분을 잡아당깁니다. 홀을 분리하려면 전면 덮개를 우측으로 밀어냅니다. 이 홀은 전면 덮개를 새시의 좌측에 고정합니다.

## 배터리 분리



전원 모듈에서 배터리를 잡아당겨 분리합니다.

## 배터리 회전

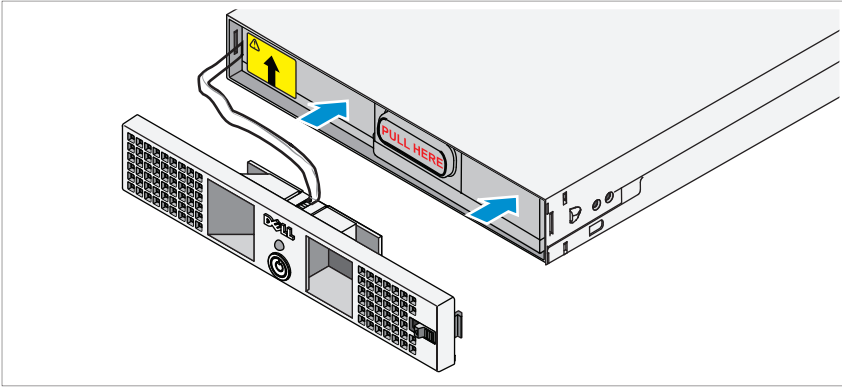


블라인드 메이트 커넥터가 전원 모듈 새시의 뒤쪽을 향하도록 배터리를 180° 회전시킵니다.



**주:** 노란색 라벨에 있는 화살표가 위를 향하고 있는지 확인하십시오.

## 배터리 재삽입



배터리와 전원 모듈을 맞추고 배터리를 다시 끼워넣습니다. 배터리가 전원 모듈에 완전히 장착되어 있는지 확인하십시오. 배터리가 전원 모듈에 완전히 삽입되지 않은 경우, 배터리 전면 덮개가 제대로 닫히지 않습니다.

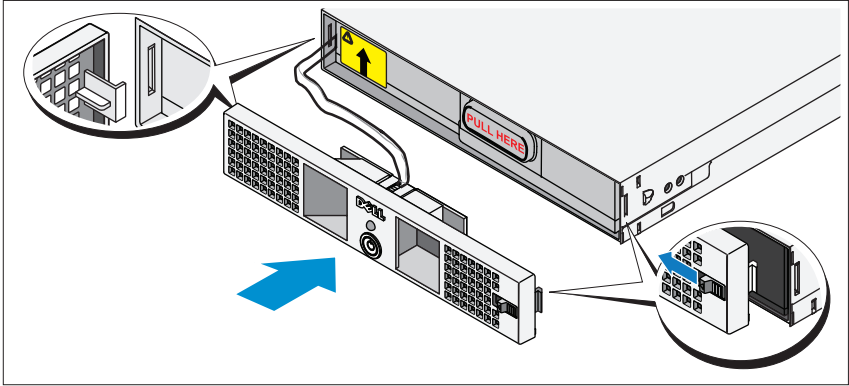


**주 :** 전원 케이블을 연결하기 전에 반드시 배터리 팩을 연결하십시오.



**주 :** 블라인드 메이트 커넥터는 전원 모듈의 후면에 있는 소켓에 플러그로 연결되어 있으므로 관찰이 불가능합니다. 그러나, 배터리 팩을 연결할 때 약간의 아크가 발생할 수 있습니다. 이는 정상적인 현상이며 장치에 손상이 발생되거나 안전 문제를 제시하는 것이 아닙니다.

## 전원 모듈 전면 덮개 장착

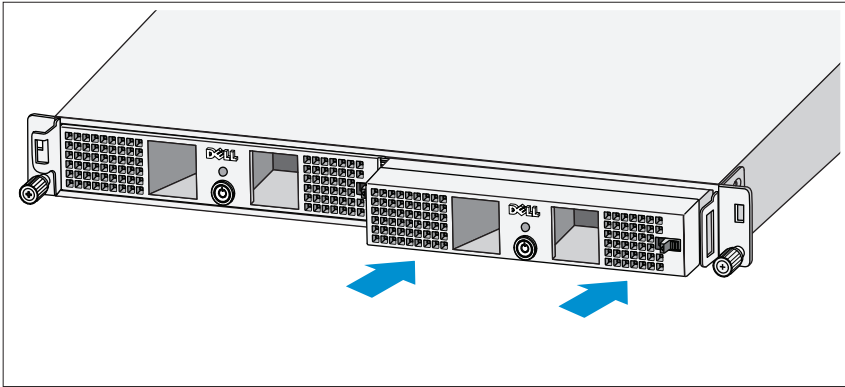


**⚠ 경고 :** 안전을 고려하여, 배터리 팩을 끼워 넣고 연결한 후 즉시 전원 모듈 전면 덮개를 장착하십시오.

**⚠ 경고 :** 전원 모듈에 고정시키기 전에 전면 덮개를 조심스럽게 맞춥니다. 안전을 고려하여, 전원 모듈 전면 덮개가 배터리 팩과 닿지 않도록 하십시오.

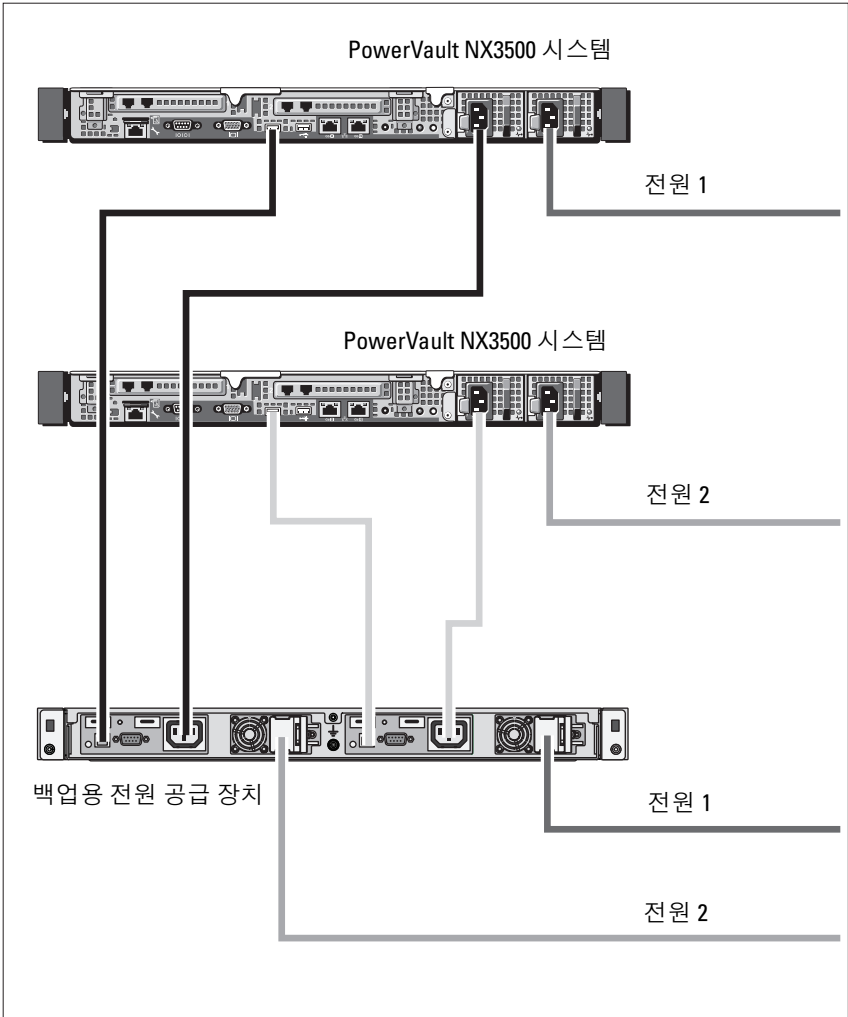
첫번째 전면 덮개의 왼쪽에서, 새시의 왼쪽에 있는 개방된 슬롯에 흑을 끼워넣으십시오. 전면 덮개의 우측에서, 래치 흑이 들어가게 하려면 래치를 왼쪽으로 밀어주십시오. 전면 덮개의 우측을 새시에 대해 앞쪽으로 밀어주십시오. 새시의 우측에 있는 개방된 슬롯에 흑을 장착하려면 래치를 풀어주십시오.

## 전원 모듈 삽입



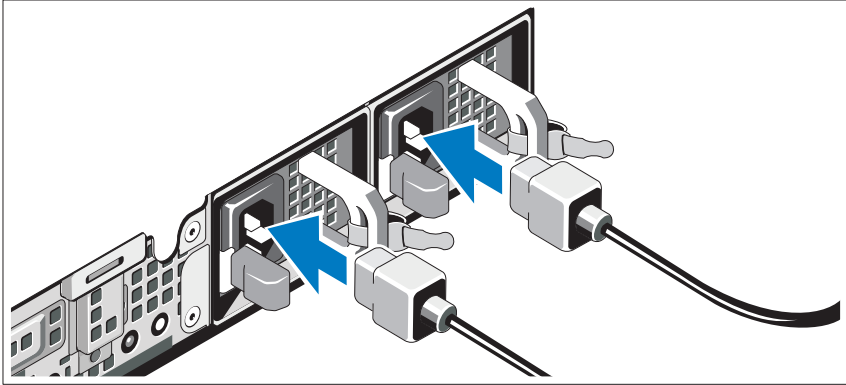
후면 패널이 채시의 뒤쪽을 향하게 하면서 전원 모듈을 채시 모듈에 끼워 넣으십시오 .

## 솔루션 케이블 연결



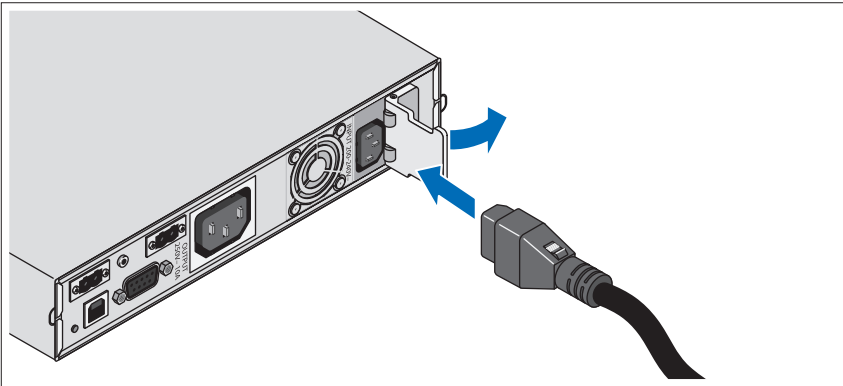
그림과 같이 솔루션에 케이블을 연결합니다.

## 전원 케이블 연결



시스템의 전원 케이블을 시스템에 연결합니다.

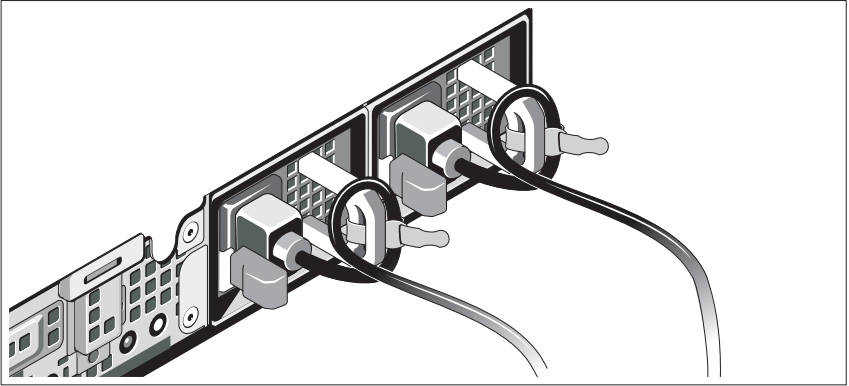
- △ 주의 : 120 V (LV) 및 230 V (HV) 전원 모듈은 IEC 320 C-13 출력용 소켓을 제공합니다. 전원 모듈 후면 패널에 있는 입력 커넥터 옆에 표시된 입력 전원 정격에 적합한 전원 코드만 사용합니다.
- △ 주의 : 반드시 BPS의 전압 정격을 확인해야 합니다. 230 Vac를 120 V BPS에 연결하면 BPS가 손상될 수 있습니다.



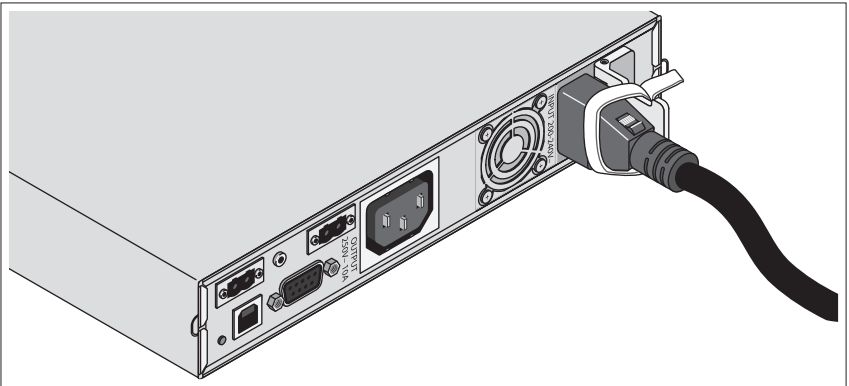
입력 커넥터를 위한 스프링이 장착된 인터록 덮개를 열고 전원 케이블을 BPS에 연결합니다.



## 전원 케이블 고정

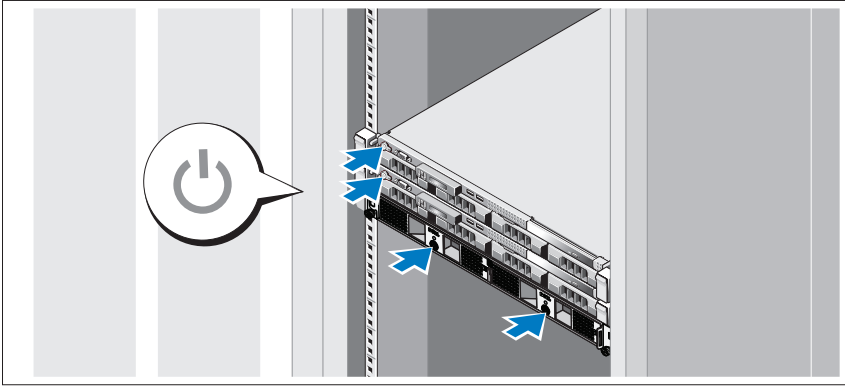


시스템 전원 케이블을 그림에 표시된 대로 루프 모양으로 구부리고 제공된 스트랩을 사용하여 브래킷에 케이블을 고정시킵니다. 접지된 전원 콘센트에 전원 케이블 1 개의 한쪽 끝을 연결하고 케이블의 다른 한 쪽은 BPS에 연결합니다. 자세한 내용은 85 페이지의 "솔루션 케이블 연결"을 참조하십시오.



그림에 표시된 대로 BPS에 연결된 전원 케이블을 고정합니다.

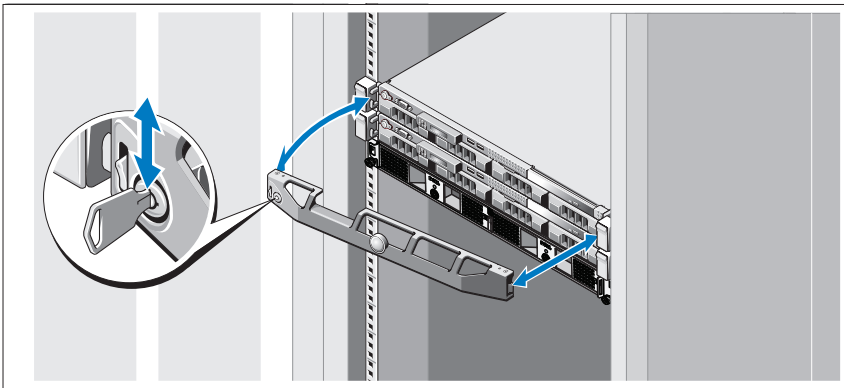
## 솔루션 켜기



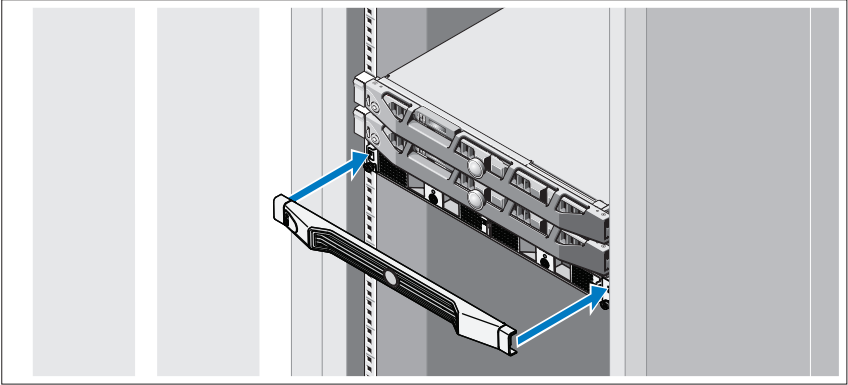
다음의 순서대로 구성요소를 켜십시오 :

- 1 BPS
- 2 PowerVault NX3500 시스템

## 베젤 (선택 사양) 설치



시스템용 베젤을 설치합니다 (선택 사양).



BPS 용 베젤을 설치합니다 (선택 사양).

## 기타 필요한 정보

**⚠ 경고 :** 시스템과 함께 제공되는 안전 및 규제 정보를 참조하십시오. 보증 정보는 이 문서에 포함되거나 별도의 문서로 제공될 수 있습니다.

- 랙 솔루션과 함께 제공되는 랙 설명서에는 시스템을 랙에 설치하는 방법이 기술되어 있습니다.
- 랙 솔루션과 함께 제공되는 케이블 관리 도구 설명서에는 랙에 케이블 관리 도구를 설치하는 방법이 설명되어 있습니다.
- *하드웨어 소유자 매뉴얼*에서는 시스템 기능에 대한 정보를 제공하고 시스템 문제 해결 방법 및 시스템 구성요소 설치 또는 교체 방법을 설명합니다. 이 문서는 [support.dell.com/manuals](http://support.dell.com/manuals) 에서 온라인으로 볼 수 있습니다.
- 운영 체제, 시스템 관리 소프트웨어, 시스템 업데이트 및 시스템과 함께 구입한 시스템 구성요소와 관련된 설명서 및 도구를 비롯하여 시스템을 구성 및 관리하는 데 필요한 설명서 및 도구를 제공하는 모든 매체가 시스템과 함께 제공됩니다.

**✍ 주 :** 새로운 업데이트가 없는지 [support.dell.com/manuals](http://support.dell.com/manuals) 에서 항상 확인하십시오. 업데이트에는 최신 정보가 수록되어 있으므로 다른 문서를 읽기 전에 반드시 먼저 참조하시기 바랍니다.

## 기술 지원 얻기

본 안내서의 절차가 잘 이해되지 않거나 시스템이 제대로 작동하지 않을 경우 **하드웨어 소유자 매뉴얼**을 참조하십시오. Dell은 포괄적인 하드웨어 교육 및 인증을 제공합니다. 자세한 내용은 [dell.com/training](http://dell.com/training) 을 참조하십시오. 지역에 따라 이 서비스가 제공되지 않을 수도 있습니다.

## NOM 정보 ( 멕시코에만 해당 )

다음 정보는 공식 멕시코 표준 (NOM: Official Mexican Standards) 을 준수하는 본 문서에 기술된 장치에 대한 내용입니다.

수입업체 : Dell Inc. de México, S.A. de C.V.  
Paseo de la Reforma 2620 -11º Piso  
Col. Lomas Altas  
11950 México, D.F.

| 모델 번호      | 공급 전압          | 주파수     | 전류 소비량     |
|------------|----------------|---------|------------|
| E07S       | 100 – 240V CA  | 50/60Hz | 5.2 ~ 2.6A |
| DELL500WLV | 100 – 140 V CA | 50/60Hz | 15 A       |
| DELL500WHV | 200 – 250 V CA | 50/60Hz | 10A        |

## 기술 사양

### PowerVault NX3500 시스템 사양

#### 프로세서

프로세서 유형 Intel Xeon Processor 3400 시리즈

#### 확장 버스

버스 종류 PCI Express Generation 2

확장 슬롯 절반 길이 x16 슬롯 1 개

절반 길이 x8 슬롯 1 개

**주 :** 두 슬롯 모두 x8 라우팅을 지원합니다.

---

## 메모리

---

|           |  |
|-----------|--|
| 아키텍처      | 1333MHz 레지스터 패리티 및 비 레지스터 DDR-III 메모리 모듈 |
| 메모리 모듈 소켓 | 240 핀 6 개                                |
| 메모리 모듈 용량 | 2GB                                      |
| 최대 RAM    | 12GB                                     |

---

## 드라이브

---

|         |  |
|---------|--|
| 하드 드라이브 | 3.5" 핫스왑 가능 SATA 드라이브 2 개                                  |
| 광학 드라이브 | 내장 슬림라인 SATA DVD-ROM 1 개<br><b>주 : DVD 장치는 데이터 전용입니다 .</b> |

---

## 커넥터

---

### 후면

|     |                            |
|-----|----------------------------|
| NIC | RJ-45( 내장형 1GB NIC 용 ) 2 개 |
| 직렬  | 9 핀 , DTE, 16550 호환        |
| USB | 4 핀 2 개 , USB 2.0 호환       |
| 비디오 | 15 핀 VGA                   |

### 전면

|     |                      |
|-----|----------------------|
| 비디오 | 15 핀 VGA             |
| USB | 4 핀 2 개 , USB 2.0 호환 |

### 내부

|     |                      |
|-----|----------------------|
| USB | 4 핀 2 개 , USB 2.0 호환 |
|-----|----------------------|

---

## 비디오

---

|         |                       |
|---------|-----------------------|
| 비디오 종류  | BMC 에 내장된 Matrox G200 |
| 비디오 메모리 | 8MB 그래픽 메모리           |

---

## 전원

---

AC 전원 공급 장치 ( 전원 공급 장치당 )

|          |  |
|----------|--|
| 와트       | 400 W  |
| 전압       | 100 ~ 240VAC, 50/60Hz  |
| 열 손실     | 최대 1666 BTU/hr   |
| 최대 유입 전류 | 일반적인 라인 상태 및 전체 시스템의 작동 범위에서는 유입 전류가 전원 공급 장치 당 10ms 이하인 동안 25A 에 달합니다 . |

배터리

|         |                      |
|---------|----------------------|
| 시스템 배터리 | CR 2032 3.0V 리튬 코인 셀 |
|---------|----------------------|

---

## 실제

---

|                |                    |
|----------------|--------------------|
| 높이             | 4.29cm(1.69 인치 )   |
| 너비             | 43.4cm(17.09 인치 )  |
| 깊이             | 61.26cm(24.12 인치 ) |
| 무게 ( 최대 구성 시 ) | 15kg(33.02lbs)     |
| 무게 ( 빈 구성 )    | 5.96kg(13.12lbs)   |

---

## 환경

---

**주 :** 특정 시스템 구성을 위한 환경 측정에 대한 추가 정보는 [dell.com/environmental\\_datasheets](http://dell.com/environmental_datasheets) 를 참조하십시오 .

온도

|    |  |
|----|--|
| 작동 | 10 °C ~ 35 °C(50 °F ~ 95 °F), 시간당 최고 10 °C 의 온도 변화 기준<br><b>주 : 2,950</b> 피트 이상의 고도에서 최대 작동 온도는 1 °F/550ft 로 감소됩니다 . |
|----|--|

|    |  |
|----|--|
| 보관 | -40 °C ~ 65 °C(-40 °F ~ 149 °F), 시간당 최고 20 °C 의 온도 변화 기준 |
|----|--|

상대 습도

|    |                                       |
|----|---------------------------------------|
| 작동 | 8 ~ 85%( 비응축 ), 시간당 최고 10% 의 습도 변화 기준 |
| 보관 | 5 ~ 95%( 비응축 )                        |

---

## 환경 (계속)

---

|               |   |
|---------------|---|
| 최대 진동         |   |
| 작동            | 3 ~ 200Hz 에서 15 분간 0.25G  |
| 보관            | 3 ~ 200Hz 에서 15 분간 0.5G   |
| 최대 충격         |   |
| 작동            | 작동 방향으로 2.6ms 동안 (+) z 축으로 31G 의 충격 펄스 1 회 ( 시스템 각 면에 1 회의 펄스 )                               |
| 보관            | 최대 2ms 동안 (+/-) x, y, z 축으로 71G 의 연속 충격 펄스 6 회 ( 시스템 각 면에 1 회의 펄스 )                           |
| 고도            |   |
| 작동            | -16 ~ 3,048m(-50 ~ 10,000ft)<br><b>주 : 2,950 피트 이상의 고도인 경우 최대 작동 온도는 1 °F/550ft 로 감소됩니다 .</b> |
| 보관            | -16 ~ 10,600m(-50 ~ 35,000ft)   |
| 공기 중 오염 물질 수준 |   |
| 등급            | ISA-S71.04-1985 의 규정에 따른 G1   |

## 백업용 전원 공급 장치 사양

---

### BPS 모델 리스트

---

|          |                     |
|----------|---------------------|
| 120 V 모델 | Dell BPS 500 W (LV) |
| 230 V 모델 | Dell BPS 500 W (HV) |

---

### 실제 (120 V 및 230 V 모델 )

---

|                    |  |
|--------------------|--|
| 크기 ( 폭 x 높이 x 깊이 ) | 434 mm x 42 mm x 723 mm<br>(1.4 인치 x 0.1 인치 x 2.4 인치 )<br><b>주 : 베젤 깊이 33 mm (0.1 인치 ) 불포함 .</b> |
| 랙 단위 크기            | 1 U  |
| 무게                 | 30.0 kg (66.1 lb)  |

---

## 전기 입력

---

|                  |  |
|------------------|--|
| 표준 전압            |  |
| 120 V 모델         | 120V                                   |
| 230 V 모델         | 230 V                                  |
| 표준 전압 범위         |  |
| 120 V 모델         | 90–140 V                               |
| 230 V 모델         | 180–264 V                              |
| 표준 주파수           |  |
| 120 V 및 230 V 모델 | 50/60 Hz 자동 감지, $\pm 3$ Hz             |
| 효율 (일반 모드)       |  |
| 120 V 및 230 V 모델 | > 96%                                  |
| 잡음 필터링           |  |
| 120 V 및 230 V 모델 | 전시간 EMI/RFI 필터링                        |
| 연결               |  |
| 120 V 및 230 V 모델 | IEC 320-C14, UL/CSA 의 경우 15 A, 기타 10 A |

---

## 전기 출력

---

|                                |  |
|--------------------------------|--|
| 전원 레벨 (표준 입력장치에서의 정격)          |  |
| 120 V 및 230 V 모델               | 500 W                                  |
| 전압조정 (일반 모드)                   |  |
| 120 V 모델                       | 88–140 V                               |
| 230 V 모델                       | 176–264 V                              |
| 전압조정 (배터리 모드), 표준 전압 $\pm 5\%$ |  |
| 120 V 모델                       | 100–140 V                              |
| 230 V 모델                       | 200–250 V                              |
| 전압 과형                          |  |
| 120 V 및 230 V 모델               | 정현파                                    |
| 출력 소켓                          |  |
| 120 V 및 230 V 모델               | IEC 320-C13, UL/CSA 의 경우 15 A, 기타 10 A |





---

**배터리 (120 V 및 230 V 모델)**

---

|        |   |
|--------|---|
| 구성     | 500 W: (4) 6 V, 9.0 Ah 내부 배터리   |
| 배터리 종류 | 9.0 Ah  |
| 전압     | 500 W: 24 Vdc 내부  |
| 퓨즈     | BPS: (2) 40 A 퓨즈  |
| 유형     | 밀봉, 유지관리 필요없음, 밸브에 의해 조절됨, 납축전배터리 (lead-acid)                           |
| 충전     | 50%의 정격 부하로 방전 후 약 8 시간 충전으로 90% 충전 (표준 라인으로 사용가능한 용량이며 전원 공급 장치 보충 없음) |
| 모니터링   | 조기 고장 감지 및 경고를 위한 고급 모니터링   |



Printed in China.  
中国印制。  
Dicetak di China.  
중국에서 인쇄 .  
Printed on Recycled Paper.

[www.dell.com](http://www.dell.com) | [support.dell.com](http://support.dell.com)



OPT6XCA00



Printed in Malaysia.  
马来西亚印制。  
Dicetak di Malaysia.  
말레이시아에서 인쇄 .

[www.dell.com](http://www.dell.com) | [support.dell.com](http://support.dell.com)



OPT6XCA00